



# YOSHIMURA

RESEARCH&DEVELOPMENT OF AMERICA, INC.

5420 DANIELS STREET STE A, CHINO CA., 91710 · (800) 634-9166 · (909) 628-4722 · FAX (909) 591-2198

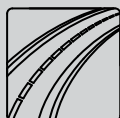
[www.yoshimura-rd.com](http://www.yoshimura-rd.com)

## Street Series

Qualified Manufacturer Declared "Replacement Part"

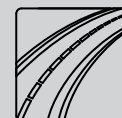
**2012~2018**  
**Kawasaki ZX-10R**  
**141812M220 (CF/CF)**  
**141812M520 (SS/CF)**

**Alpha Stainless Steel Slip-On**



All Street Series systems are:

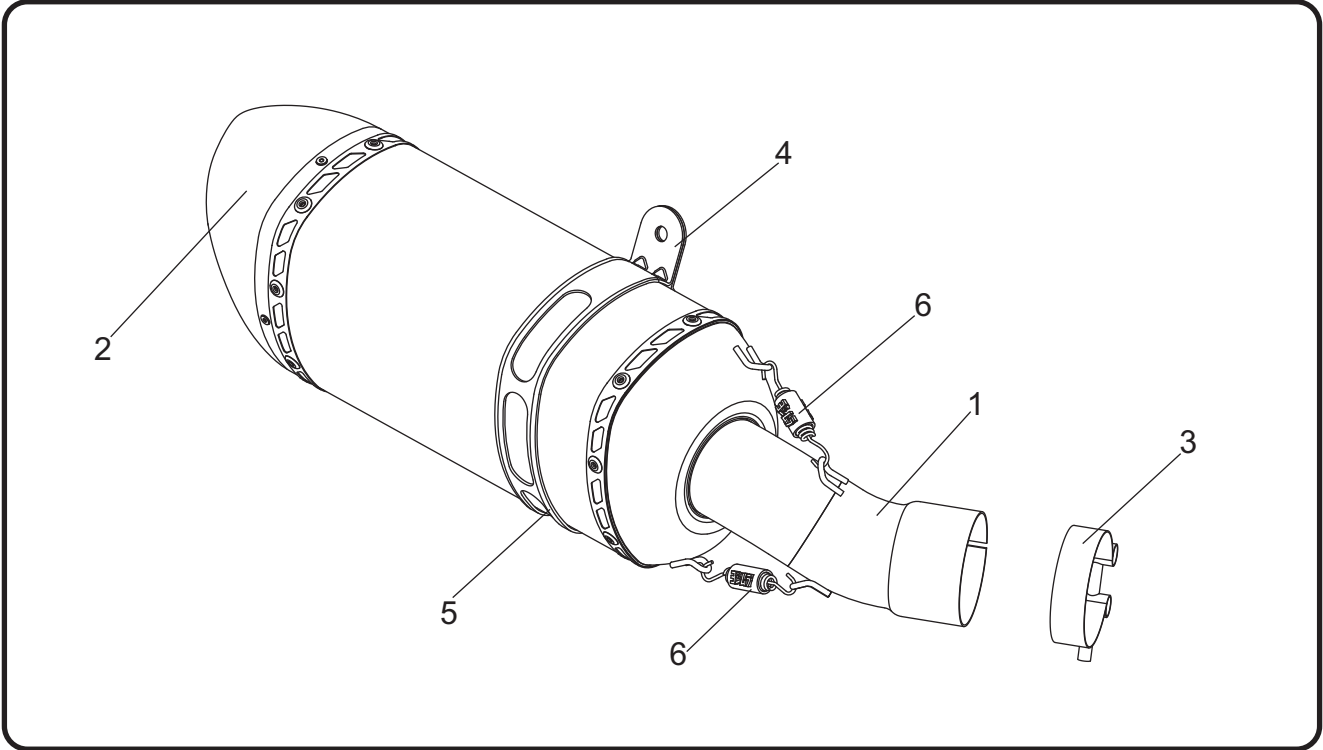
- Slip-on/Bolt-on applications that do not require tampering with the vehicle's emissions control system.
- CARB/EPA tail-pipe emissions compliant.
- Marked with appropriate EPA noise labels.
- Not tested for EPA new vehicle noise compliance.



✘ You must know how to remove and replace your stock exhaust in order to install this product otherwise have it installed by a professional mechanic. Keep all stock parts from your existing system as some components may be necessary to install your new Yoshimura exhaust depending on the application. Read through all instructions before beginning installation. Exhaust system can be extremely hot. Let motorcycle cool down before beginning installation. Always wear hand and eye protection and take precautionary measures to avoid injury. ✘

NOTE: IN THE STATE OF CALIFORNIA, IT IS ILLEGAL TO MODIFY THE EMISSION CONTROL SYSTEM, WHICH INCLUDES THE CARBURETORS OF ANY VEHICLE.

## Assembly Diagram



No.	Item	Description	Qty.
1	14181-435-1	Yoshimura Tailpipe	1
2	CRYM5106RA SRYM5106RA	CF/CF Muffler Assembly SS/CF Muffler Assembly	1
3	20067	Exhaust Clamp	1
4	MCYM5-GCBX(-X)	Muffler Clamp	1
5	HT SHLDR77	Muffler Clamp Heat Insulator	1
6	RACE-SPS-1	Medium Exhaust Spring	2
**	INS-20-K	Low Volume Sound Insert	1
**	ST-200	Spring Puller Tool	1
**	17029	Sticker Kit Sheet	1

\*\* Not shown in diagram.  
(-X) Used for Stainless Steel canister.

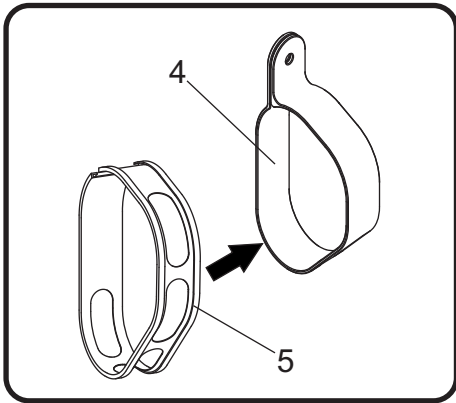
## Removal

1. Loosen the exhaust clamp and while securely supporting the stock muffler assembly, remove the muffler mount bolt and carefully remove the stock muffler assembly.

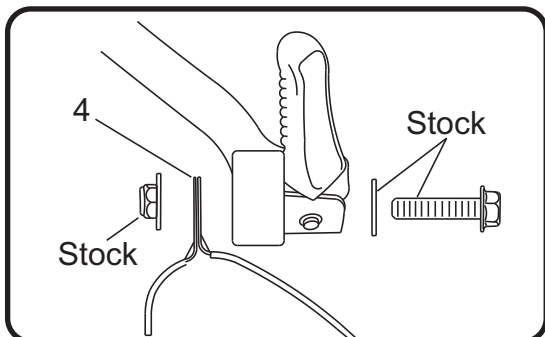
Note: The stock exhaust gasket will be reused.  
Inspect and replace if necessary.

## Installation

1. Install (No. 5) *HT SHLDR77*, muffler clamp heat insulator onto (No. 4) *MCYM5-GCBX(-X)*, muffler clamp.



2. Insert the stock exhaust gasket into (No. 1) *14181-435-1*, tailpipe inlet.
3. Install (No. 3) *20067*, exhaust clamp onto (No. 1) *14181-435-1*, tailpipe. Do not torque at this time.
4. Install (No. 1) *14181-435-1*, tailpipe inlet over the stock pre-muffler chamber outlet.
5. Slide (No. 4) *MCYM5-GCBX(-X)*, muffler clamp over (No. 2) muffler assembly.
6. Secure (No. 4) *MCYM5-GCBX(-X)*, muffler clamp to the stock muffler mount using the stock bolt, washer, and nut.



7. Standing behind the motorcycle, check for proper alignment of the muffler.

Note: It may be necessary to remove the exhaust springs to rotate the muffler and tailpipe independently to achieve desired alignment.

8. Torque muffler mount bolt to factory specification.
9. Torque (No. 3) *20067*, exhaust clamp to 8.5 Nm (0.86 kg-m, 6 ft-lb).
10. Before starting vehicle, check for proper clearance between new exhaust system and rear suspension (i.e. tire, swingarm, brakes, rear shock, and etc.) If any problem is found, please carefully follow through the installation steps again. If problem still persists, please call Yoshimura Tech Department at (800) 634-9166 / in CA (909) 628-4722.

11. It is recommended that the muffler and tailpipe be wiped down with rubbing alcohol to remove oil and fingerprints. This will help prevent tarnishing of the finish after the exhaust is heated up.

Note: After starting vehicle, it is normal for new exhaust system and muffler to emit smoke until oil residue burns off.