



YOSHIMURA

RESEARCH&DEVELOPMENT OF AMERICA, INC.

5420 DANIELS STREET STE A, CHINO CA., 91710 · (800) 634-9166 · (909) 628-4722 · FAX (909) 591-2198

www.yoshimura-rd.com

Street Series

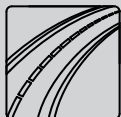
Qualified Manufacturer Declared "Replacement Part"

2018 Kawasaki H2 SX

14210BM220 (CF/CF)

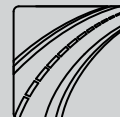
14210BM520 (SS/CF)

Alpha Stainless Steel Slip-On



All Street Series systems are:

- Slip-on/Bolt-on applications that do not require tampering with the vehicle's emissions control system.
- CARB/EPA tail-pipe emissions compliant.
- Marked with appropriate EPA noise labels.
- Not tested for EPA new vehicle noise compliance.

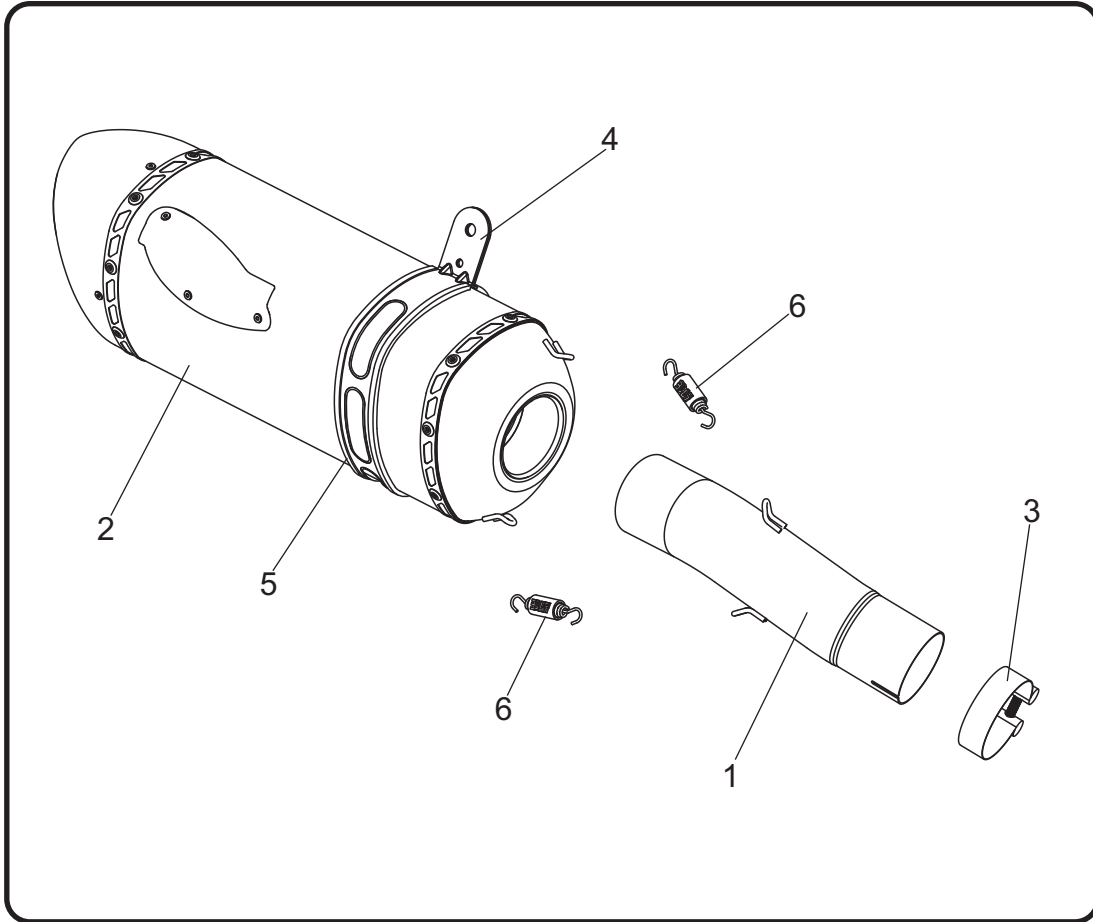


You must know how to remove and replace your stock exhaust in order to install this product otherwise have it installed by a professional mechanic. Keep all stock parts from your existing system as some components may be necessary to install your new Yoshimura exhaust depending on the application. Read through all instructions before beginning installation. Exhaust system can be extremely hot. Let motorcycle cool down before beginning installation. Always wear hand and eye protection and take precautionary measures to avoid injury.



NOTE: IN THE STATE OF CALIFORNIA, IT IS ILLEGAL TO MODIFY THE EMISSION CONTROL SYSTEM, WHICH INCLUDES THE CARBURETORS OF ANY VEHICLE.

Assembly Diagram



No.	Item	Description	Qty.
1	14210-435D	Yoshimura Tailpipe	1
2	CRYM5125RAD SRYM5125RAD	Carbon Fiber Muffler Assembly Stainless Steel Muffler Assembly	1
3	27-66M	Barrel Band Clamp	1
4	MCYM5-DFBX MCYM5-DFBX-X	Muffler Clamp for use with CF sleeve for use with SS sleeve	1
5	HT SHLDR77	Muffler Clamp Heat Insulator	1
6	RACE-SPS-1	Medium Exhaust Spring	2
**	ST-200	Spring Puller Tool	1
**	17029	Sticker Sheet	1

** Not shown on diagram.

CAUTION: Exhaust system can be extremely hot. Let motorcycle cool down before beginning installation. Always wear hand and eye protection and take precautionary measures to avoid injury.

WARNING: Always properly support vehicle with a stand and/or lift when servicing or performing any work. Unstable vehicles may present dangerous conditions and may cause property damage and/or personal injury.

NOTE: Read through all instructions before beginning installation.

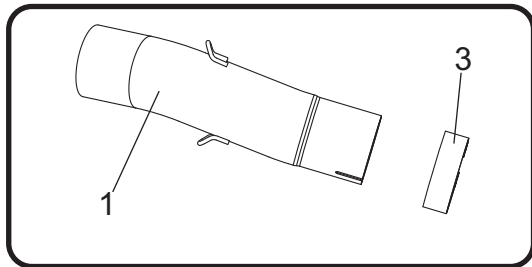
Removal

1. Loosen muffler clamp.
2. While securely supporting the stock muffler, remove the muffler mount bolt and carefully remove the stock muffler assembly.

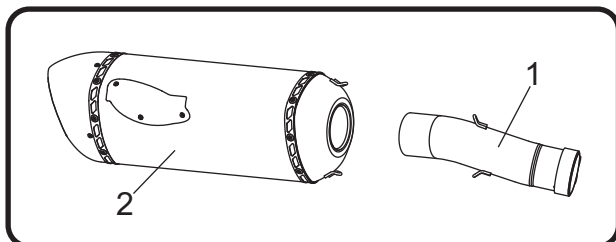
Note: The stock exhaust gasket will not be re-used.

Installation

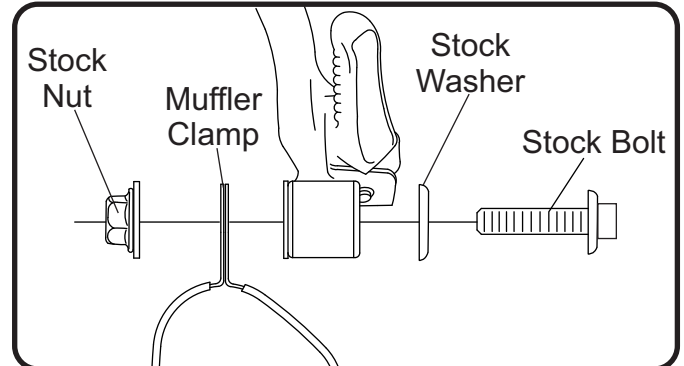
1. Install (No. 3) 27-66M, barrel band clamp over (No. 1) 14210-435D, tailpipe inlet. Do not torque at this time.



2. Install (No. 5) HT SHLDR77, muffler clamp heat insulator onto (No. 4) MCYM5-DFBX(-X), muffler clamp.
3. Install (No. 1) 14210-435D, tailpipe outlet into (No. 2) muffler, inlet.



4. Install muffler/tailpipe assembly over the stock header outlet.
5. Slide (No. 4) MCYM5-DFBX(-X), muffler clamp over (No. 2) muffler and align to the backside of the stock muffler mount. Secure using the stock muffler mount bolt, washer and nut. Torque to factory specification.



6. Install (No. 6) RACE-SPS-1, medium exhaust springs between muffler and tailpipe using the supplied ST-200, spring puller tool.
7. Torque (No. 3) 27-66M, barrel band clamp to 8.5 Nm (0.86 kg-m, 6 ft-lb).
8. Before starting vehicle, check for proper clearance between new exhaust system and rear suspension (i.e. tire, swingarm, brakes, rear shock, and etc.) If any problem is found, please carefully follow through the installation steps again. If problem still persists, please call Yoshimura Tech Department at (800) 634-9166 / in CA (909) 628-4722.
9. It is recommended that the muffler and tailpipe be wiped down with rubbing alcohol to remove oil and fingerprints. This will help prevent tarnishing of the finish after the exhaust is heated up.

Note: After starting motorcycle, it is normal for new exhaust system and muffler to emit smoke until oil residue burns off.

Works Finish Care & Maintenance

Before starting vehicle, clean pipe thoroughly using a soft cloth and rubbing alcohol to remove any oil and finger prints.

The color of the exhaust will change once the system has gone through a heat cycle of 15 minutes or more. Color will vary depending on lean/rich conditions.

Clean using a soft cloth and soap. Do not use abrasive materials as it will scratch the surface.

Surface reconditioning services are available to remove scratches and undesirable discoloration due to extreme heat. Contact Yoshimura Tech Department at (800) 634-9166 / in CA (909) 628-4722 for more information.