

## Monobloc CNC Caliper P4 32/36 Code X101740/41

### Spare Parts • Ricambi

Spindle / Perno

**X101708**

Pin / Copiglia

**05454221**

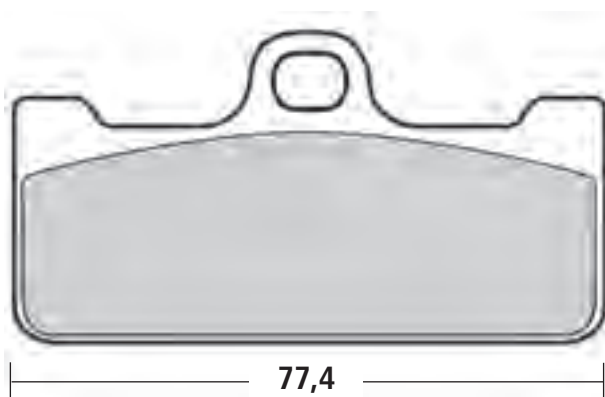
Bleeding screw / Vite spurgo

**X101739**



### Technical Characteristics • Caratteristiche Tecniche

Pistons / Pistoni Ø	32 / 36 mm.
Construction Material / Materiale	CNC Aluminium / Alluminio CNC
Finishing / Finissaggio	Hard anodizing / Anodizzazione dura
Weight (without pads) / Massa (senza pastiglie)	660 gr.
Brake Fluid / Fluido freni	DOT 4
Hardware / Viteria	Titanium / Titanio
Pistons / Pistoni	Titanium / Titanio
Center to center / Interasse	40 mm.
Offset / Offset	26,5 mm.



### Pads • Pastiglie

Code	Performance	Life
<b>107684820</b>	•	•
Z01 Th = 8,35		
<b>M028Z04</b>	+	•
Z04 Th = 8		