



## FITTING INSTRUCTIONS FOR CG0020SI STAINLESS STEEL CHAIN GUARD KTM 790 ADVENTURE 2019-



Picture A

**THIS KIT CONTAINS THE ITEMS PICTURED AND LABELLED OVER PAGE.**

SOME PARTS MAY BE SHOWN FOR CLARITY OF INSTRUCTIONS ONLY.

DO NOT PROCEED UNTIL YOU ARE SURE ALL PARTS ARE PRESENT.

**PLEASE READ ALL INSTRUCTIONS BEFORE PROCEEDING.**

PLEASE NOTE THAT THE WAY THE KIT IS PACKED DOES NOT NECESSARILY REPRESENT THE WAY OF MOUNTING TO THE BIKE.

IN THE EVENT OF RUBBER WASHERS BEING USED TO HOLD COMPONENTS ONTO BOLTS,  
THESE RUBBER WASHERS CAN BE THROWN AWAY.

**DIGITAL COPIES OF THESE INSTRUCTIONS ARE AVAILABLE FROM:**

[WWW.RG-RACING.COM](http://WWW.RG-RACING.COM)

R&G Racing

Unit 1, Shelleys Lane, East Worldham, Alton, Hampshire GU34 3AQ.

Tel: +44 (0)1420 89007 Fax +44 (0)1420 87301 [www.rg-racing.com](http://www.rg-racing.com) Email: [info@rg-racing.com](mailto:info@rg-racing.com)

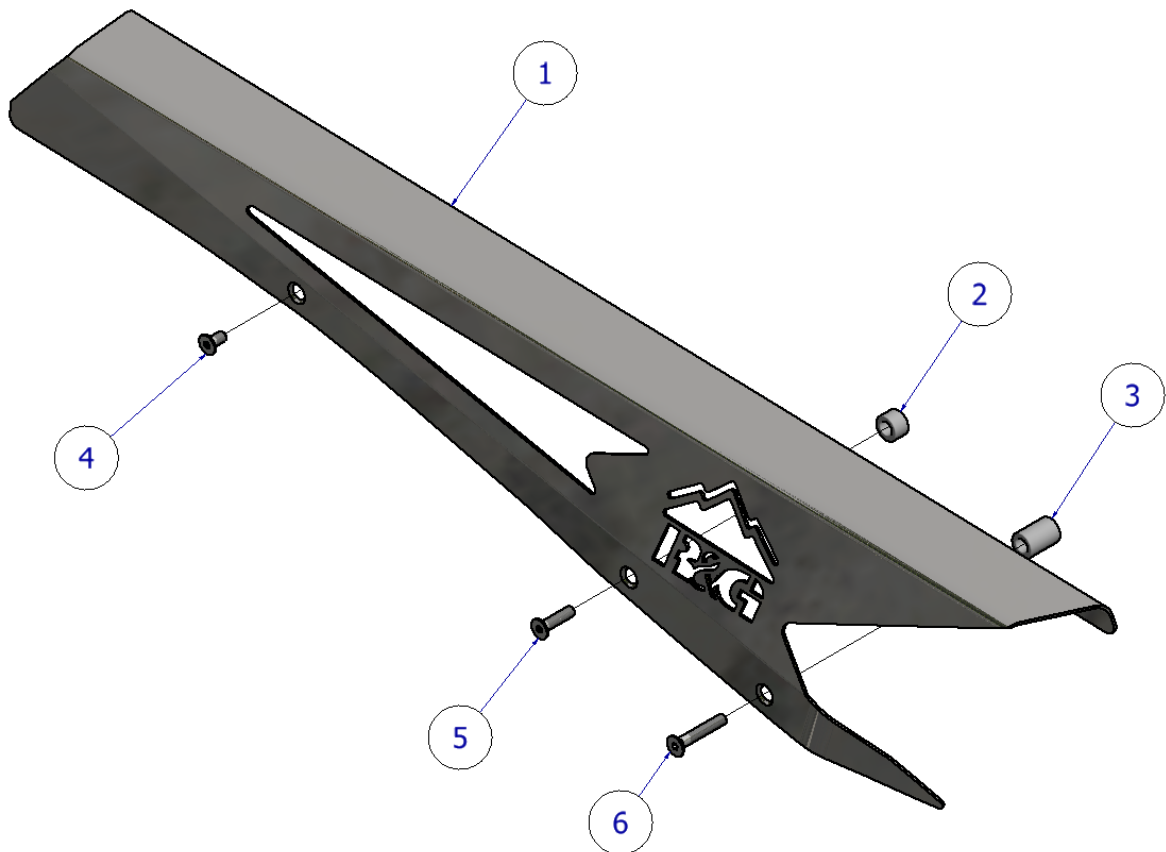


<u>TOOLS REQUIRED</u>	<u>GENERAL TORQUE SETTINGS</u>
<ul style="list-style-type: none"> <li>• 3mm A/F Allen Tool</li> <li>• T30 Torx Tool</li> <li>• Scissors/Cutting Tool</li> </ul>	<p>M4 BOLT = 8Nm</p> <p>M5 BOLT = 12Nm</p> <p>M6 BOLT = 15Nm</p> <p>M8 BOLT = 20Nm</p> <p>M10 BOLT = 40Nm</p> <p>M12 BOLT = 40Nm</p>

**LEGEND**

<b>ITEM No.</b>	<b>DESCRIPTION</b>	<b>QTY</b>
ITEM 1	SMW0155 STAINLESS STEEL CHAIN GUARD	1
ITEM 2	S0563 SPACER 8mm LONG	1
ITEM 3	S1212 SPACER 18mm LONG	1
ITEM 4	M5 x 10mm COUNTERSUNK BOLT	1
ITEM 5	M5 x 20mm COUNTERSUNK BOLT	1
ITEM 6	M5 x 30mm COUNTERSUNK BOLT	1
ITEM 7	SRS0007 RUBBER U-CHANNEL 650mm	1

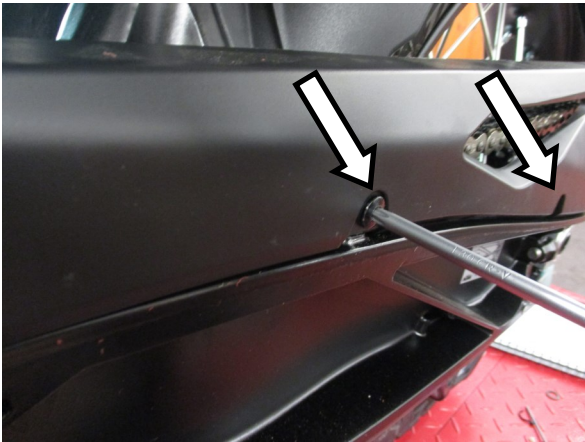
**EXPLODED ASSEMBLY DIAGRAM**



R&G Racing

Unit 1, Shelleys Lane, East Worldham, Alton, Hampshire GU34 3AQ.

Tel: +44 (0)1420 89007 Fax +44 (0)1420 87301 [www.rg-racing.com](http://www.rg-racing.com) Email: [info@rg-racing.com](mailto:info@rg-racing.com)



Picture 1



Picture 2



Picture 3



Picture 4



Picture 5



Picture 6

R&G Racing

Unit 1, Shelleys Lane, East Worldham, Alton, Hampshire GU34 3AQ.

Tel: +44 (0)1420 89007 Fax +44 (0)1420 87301 [www.rg-racing.com](http://www.rg-racing.com) Email: [info@rg-racing.com](mailto:info@rg-racing.com)



## **FITTING INSTRUCTIONS**

- Using a T30 Torx tool, remove the pair of bolts securing the OEM plastic chain guard shown in picture 1, and detach the chain guard from the bike.
- Slide the rubber U-channel (item 7) over the lower edge of the R&G chain guard (item 1) and trim to length, as shown in picture 2.
- Fit the longer 30mm countersunk bolt (item 6) through the far-right hole on the chain guard and slide the longer 18mm spacer over the exposed end of the bolt, as shown in picture 3.
- Fit the 20mm countersunk bolt (item 5) through the middle hole on the chain guard and slide the shorter 8mm spacer over the exposed end of the bolt, as shown in picture 4.
- Secure the chain guard to the two relevant vacant swingarm mounting holes using a 3mm Allen tool as shown in picture 5, then secure the far-left mounting point using the remaining 10mm-long countersunk bolt (item 4).
- Fully tighten all bolts and ensure that the chain will not hit the chain guard in operation before riding.

ISSUE 1 - 02/10/2019 (FB)

### CONSUMER NOTICE

The catalogue description and any exhibition of samples are only broad indications of the Products and R&G may make design changes which do not diminish their performance or visual appeal and supplying them in such state shall conform to the order. The Buyer acknowledges no representation or warranty (other than as to title) has been given or will apply to the Products other than those in R&G's order or confirmation and the Buyer confirms it has chosen the Products as being of merchantable quality and suitable for its particular purposes. Where R&G fits the Products or undertakes other services it shall exercise reasonable skill and care and rectify any fault free of charge unless the workmanship has been disturbed. The Buyer is responsible for ensuring that the warranty on the motorcycle is not affected by the fitting of the Products. On return of any defective Products R&G shall at its option either supply a replacement or refund the purchase money but shall not be liable if the Products have been modified or used or maintained otherwise than in accordance with R&G's or manufacturer's instructions and good engineering practice or if the defect arises from accident or neglect. Other than identified above and subject to R&G not limiting its liability for causing death and personal injury, it shall not be liable for indirect or consequential loss and otherwise its liability shall be limited to the amounts paid by the Buyer for the Products or the fitting or service concerned. These terms do not affect the Buyer's statutory rights.

### R&G RETURNS POLICY (NON-FAULTY GOODS)

Returns must be pre-authorized (if not pre-authorized the return will be rejected). Goods may only be returned direct to us if they were purchased direct from us (customer must prove if necessary). Otherwise to be returned to original vendor. Goods must be in re-sellable condition, in the opinion of R&G. All returns are subject to a 25% restocking and handling fee (25% of the gross value exc. P&P – at the prevailing price at time of purchase). The customer must pay any and all carriage charges. No

R&G Racing

Unit 1, Shelleys Lane, East Worldham, Alton, Hampshire GU34 3AQ.

Tel: +44 (0)1420 89007 Fax +44 (0)1420 87301 [www.rg-racing.com](http://www.rg-racing.com) Email: [info@rg-racing.com](mailto:info@rg-racing.com)



## NOTICE DE MONTAGE CG0020SI PROTECTION CHAÎNE KTM 790 ADVENTURE 2019-



Photo A

**LE KIT CONTIENT LES ARTICLES EN PHOTO ET ÉTIQUETTES SUR LA PAGE**

LES PARTIES PRÉSENTÉES PEUVENT ÊTRE UNIQUEMENT REPRESENTATIVES POUR LA CLARTÉ DES INSTRUCTIONS

NE PAS PROCÉDER AU MONTAGE AVANT DE VOUS ÊTRE ASSURÉ QUE TOUTES LES PIÈCES SOIENT PRÉSENTES.

**SVP, LIRE L'ENSEMBLE DE LA NOTICE AVANT DE PROCÉDER AU MONTAGE.**

LA FAÇON DONT LE KIT EST EMBALLÉ NE CORRESPOND PAS FORCÉMENT À LA FAÇON DE MONTER LES  
PIÈCES SUR LA MOTO .

NOTEZ QUE SI LES KITS SONT EMBALLÉS AVEC DES RONDELLES EN CAOUTCHOUC SERVANT À TENIR  
LES COMPOSANTS, CES RONDELLES DOIVENT ÊTRE JETÉES.

**NOTICE DISPONIBLE AU TÉLÉCHARGEMENT SUR : [WWW.RG-RACING.COM](http://WWW.RG-RACING.COM)**

R&G Racing

Unit 1, Shelleys Lane, East Worldham, Alton, Hampshire GU34 3AQ.

Tel: +44 (0)1420 89007 Fax +44 (0)1420 87301 [www.rg-racing.com](http://www.rg-racing.com) Email: [info@rg-racing.com](mailto:info@rg-racing.com)

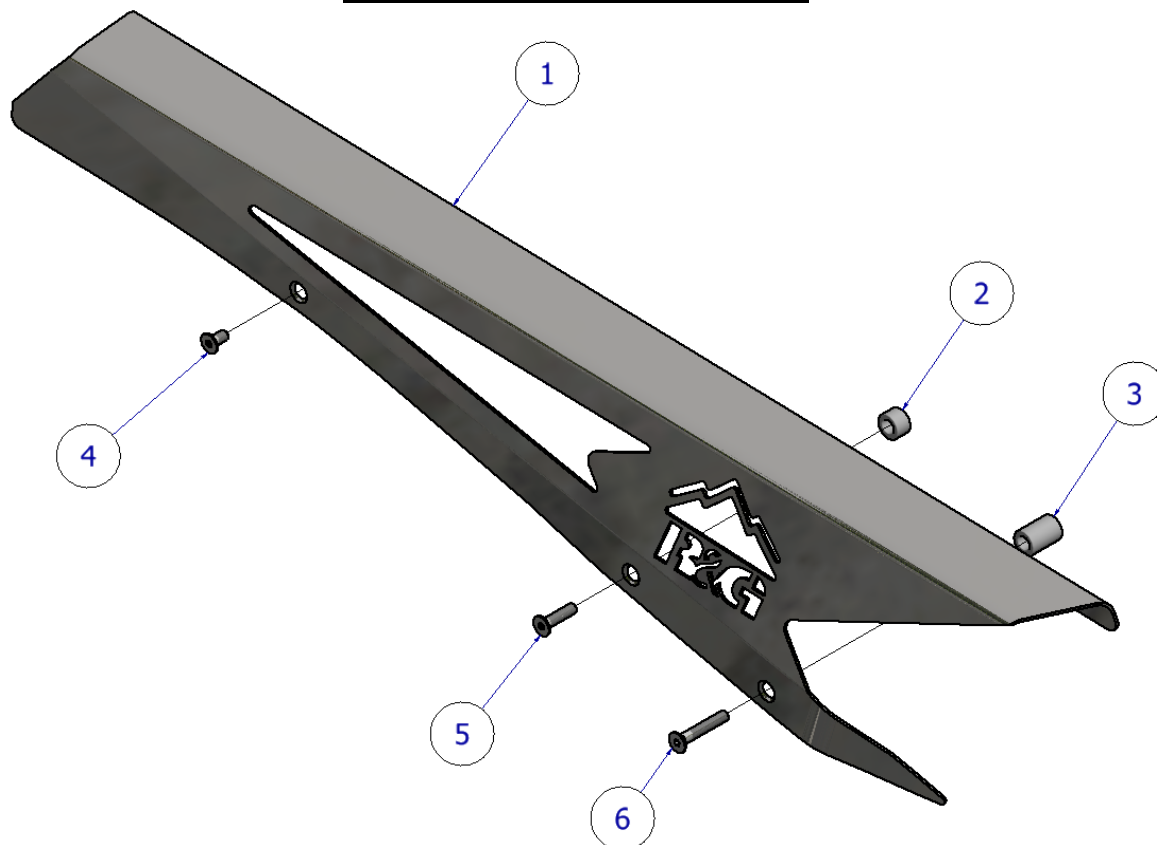


<b>OUTILS REQUIS</b>	<b>VALEURS DE SERRAGE</b>
<ul style="list-style-type: none"> <li>• Clé Allen 3mm</li> <li>• Clé Torx T30</li> <li>• Ciseaux / outil coupant</li> </ul>	M4 BOULON = 8Nm M5 BOULON = 12Nm M6 BOULON = 15Nm M8 BOULON = 20Nm M10 BOULON = 40Nm M12 BOULON = 40Nm

### **LEGENDE**

<b>ARTICLE No.</b>	<b>DESCRIPTION</b>	<b>QTE</b>
ARTICLE 1	SMW0155 PROTECTION CHAINE	1
ARTICLE 2	S0563 ENTRETOISE 8mm DE LONG	1
ARTICLE 3	S1212 ENTRETOISE 18mm DE LONG	1
ARTICLE 4	M5 x 10mm BOULON	1
ARTICLE 5	M5 x 20mm BOULON	1
ARTICLE 6	M5 x 30mm COUNTERSINK BOULON	1
ARTICLE 7	SRS0007 RUBBER U-CHANNEL 650mm	1

### **SCHEMA DE MONTAGE**



R&amp;G Racing

Unit 1, Shelleys Lane, East Worldham, Alton, Hampshire GU34 3AQ.

Tel: +44 (0)1420 89007 Fax +44 (0)1420 87301 [www.rg-racing.com](http://www.rg-racing.com) Email: [info@rg-racing.com](mailto:info@rg-racing.com)



## **NOTICE DE MONTAGE**

- Faites glisser le profilé en U en caoutchouc (article 7) sur le bord inférieur de la protection chaîne R&G (article 1) et coupez-le à la longueur souhaitée, comme indiqué sur la photo 2.
- Insérez le boulon de 30 mm (article 6) dans le trou fraisé situé à droite de la protection chaîne et faites glisser l'entretoise de 18 mm sur l'extrémité exposée du boulon, comme indiqué sur la photo 3.
- À l'aide d'un outil Torx T30, retirez la paire de boulons retenant le protège-chaîne en plastique OEM illustré à la photo 1, puis détachez le protège-chaîne du vélo.
- Insérez le boulon de 20 mm (article 5) dans le trou central de la protection chaîne et faites glisser l'entretoise de 8 mm sur l'extrémité exposée du boulon, comme indiqué sur la photo 4
- Fixez la protection chaîne dans les deux trous de montage vacants du bras oscillant à l'aide d'une clé Allen de 3 mm, comme indiqué sur la photo 5, puis fixez le point de fixation tout à gauche en utilisant le boulon de 10 mm restant (article 4).
- Fully tighten all boulons and ensure that the chain will not hit the chain guard in operation before riding.
- Serrez complètement tous les boulons et assurez-vous que la chaîne ne heurtera pas la protection chaîne en fonctionnement avant de prendre la route.

ISSUE 1 - 02/10/2019 (FB)

R&G Racing

Unit 1, Shelleys Lane, East Worldham, Alton, Hampshire GU34 3AQ.

Tel: +44 (0)1420 89007 Fax +44 (0)1420 87301 [www.rg-racing.com](http://www.rg-racing.com) Email: [info@rg-racing.com](mailto:info@rg-racing.com)



## MONTAGEANLEITUNG FÜR CG0020SI KETTENSCHUTZ AUS EDELSTAHL KTM 790 ADVENTURE 2019-



Abbildung A

**ALLE KIT-TEILE SIND UNTEN ABGEBILDET UND GEKENNZEICHNET.**

DIE ABGEBILDETEN TEILE DIENEN LEDIGLICH ZUR ERKLÄRUNG.

ÜBERPRÜFEN SIE ZUERST, DASS ALLE TEILE VORHANDEN SIND.

LESEN SIE DIE MONTAGEANLEITUNG KOMPLETT DURCH, BEVOR SIE ANFANGEN.

**WENN SIE BEI DER MONTAGE DIESES PRODUKTES UNSICHER SIND , BITTE EINEN  
UNSERER HÄNDLER KONTAKTIEREN ODER DAS KIT VON EINEM QUALIFIZIERTEN  
ZWEIRAD-MECHANIKER MONTIEREN LASSEN.**

DIE VERPACKUNG DER TEILE STELLT NICHT DIE REIHENFOLGE DER MONTAGE DAR.

HINWEIS FÜR KITS MIT PLASTIKUNTERLEGSscheIBEN AN DEN SCHRAUBEN –  
DIESE PLASTIK-UNTERLEGSscheIBEN WERDEN NICHT FÜR DEN EINBAU BENÖTIGT!

**EINE DIGITALE VERSION DIESER MONTAGEANLEITUNG KANN AUF  
FOLGENDER SEITE HERUNTERGELADEN WERDEN:**

[WWW.RG-RACING.COM](http://WWW.RG-RACING.COM)

R&G Racing

Unit 1, Shelleys Lane, East Worldham, Alton, Hampshire GU34 3AQ.

Tel: +44 (0)1420 89007 Fax +44 (0)1420 87301 [www.rg-racing.com](http://www.rg-racing.com) Email: [info@rg-racing.com](mailto:info@rg-racing.com)



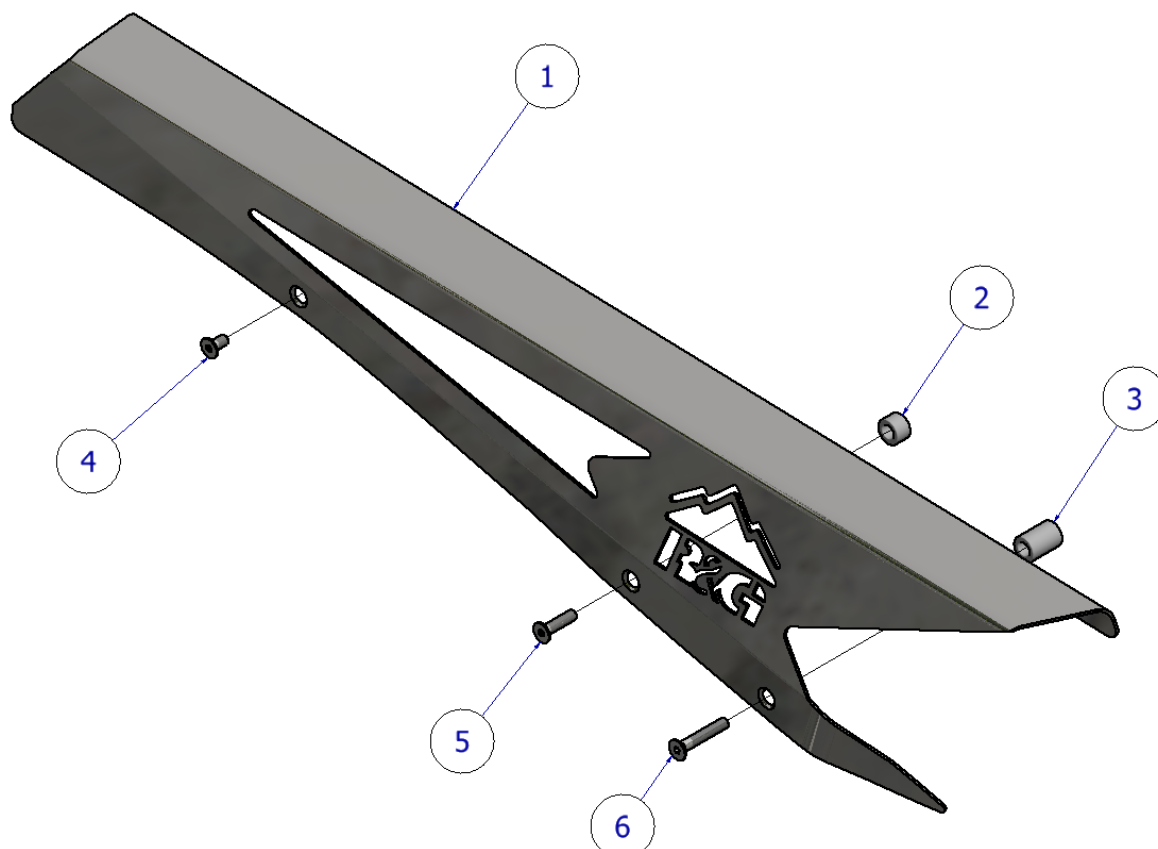


<b><u>SIE BENÖTIGEN FOLGENDES WERKZEUG:</u></b>	<b><u>ALLEM. ANZUGSDREHMOMENT</u></b>
<ul style="list-style-type: none"> <li>• 3mm A/F Inbusschlüssel</li> <li>• T30 Torx-Schlüssel</li> <li>• Schere/Schneide-Werkzeug</li> </ul>	M4 SCHRAUBE = 8Nm M5 SCHRAUBE = 12Nm M6 SCHRAUBE = 15Nm M8 SCHRAUBE = 20Nm M10 SCHRAUBE = 40Nm M12 SCHRAUBE = 40Nm

### **LIEFERUMFANG**

<b>ARTIKEL-NR.</b>	<b>BESCHREIBUNG</b>	<b>MENGE</b>
ARTIKEL 1	SMW0155 KETTENSCHUTZ AUS EDELSTAHL	1
ARTIKEL 2	S0563 DISTANZHALTER 8mm LÄNGE	1
ARTIKEL 3	S1212 DISTANZHALTER 18mm LÄNGE	1
ARTIKEL 4	M5 x 10mm SENKSCHRAUBE	1
ARTIKEL 5	M5 x 20mm SENKSCHRAUBE	1
ARTIKEL 6	M5 x 30mm SENKSCHRAUBE	1
ARTIKEL 7	SRS0007 KUNSTSTOFF U-KANAL 650mm	1

### **EXPLOSIONSZEICHNUNG**



R&G Racing

Unit 1, Shelleys Lane, East Worldham, Alton, Hampshire GU34 3AQ.

Tel: +44 (0)1420 89007 Fax +44 (0)1420 87301 [www.rg-racing.com](http://www.rg-racing.com) Email: [info@rg-racing.com](mailto:info@rg-racing.com)



## **MONTAGEANLEITUNG**

- Mit einem T30-Schlüssel die zwei Schrauben entfernen, die den original Kettenschutz aus Kunststoff befestigen wie in Abbildung 1 abgebildet, und den Kettenschutz vom Motorrad entfernen.
- Schieben Sie den Kunststoff U-Kanal (Artikel 7) über die untere Kante des R&G Kettenschutz (Artikel 1) und diese auf die entsprechende Länge kürzen — siehe Abbildung 2.
- Die längere 30mm Senkschraube (Artikel 6) in die Öffnung ganz rechts am Kettenschutz einführen und den längeren 18mm Distanzhalter am hervorstehenden Ende der Schraube montieren wie in Abbildung 3 abgebildet.
- Die 20mm Senkschraube (Artikel 5) durch die mittlere Öffnung am Kettenschutz führen und den kürzeren 8mm Distanzhalter am hervorstehenden Ende der Schraube montieren wie in Abbildung 4 abgebildet.
- Den Kettenschutz an den zwei entsprechenden Montageöffnungen an der Schwinge mit einem 3mm Inbusschlüssel befestigen wie in Abbildung 5 abgebildet, und den Montagepunkt ganz links mit der übrigen 10mm Senkschraube (Artikel 4) sichern.
- Ziehen Sie alle Schrauben fest und überprüfen Sie, dass der Kettenschutz nicht von der Kette berührt wird, wenn das Motorrad in Betrieb ist.

AUSGABE 1 - 02/10/2019 (FB)

R&G Racing

Unit 1, Shelleys Lane, East Worldham, Alton, Hampshire GU34 3AQ.

Tel: +44 (0)1420 89007 Fax +44 (0)1420 87301 [www.rg-racing.com](http://www.rg-racing.com) Email: [info@rg-racing.com](mailto:info@rg-racing.com)