



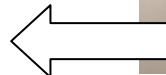
**FITTING INSTRUCTIONS FOR CP0388 AERO CRASH PROTECTORS**  
**YAMAHA YZF R1 2015-**



PICTURE 'A'



PICTURE 'B'



REAR OF BIKE

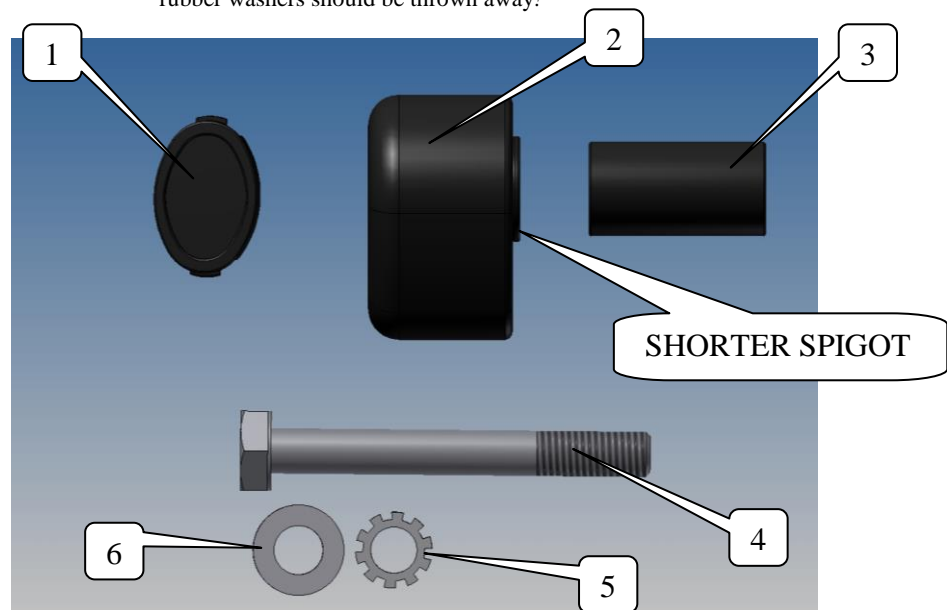


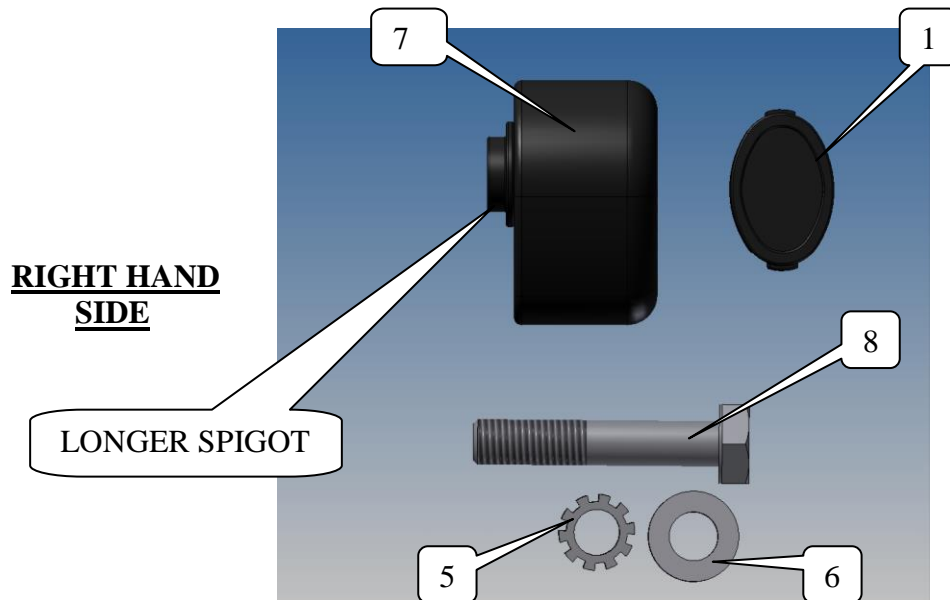
FRONT OF BIKE

PICTURE 'C'

Please note that the way the kit is packed does not necessarily represent the way of mounting to the bike  
 Please note that in cases where kits are packed with rubber washers holding the components onto the bolt – the rubber washers should be thrown away!

**LEFT HAND**  
**SIDE**





### **LEGEND**

ITEM 1 = BC0002 CRASH PROTECTOR CAPS (x2).

ITEM 2 = B0472 with CS0477 (12mm) (L-H-S CRASH PROTECTOR) (x1).

ITEM 3 = S0869 SPACER 46.5mm LONG (L-H-S SPACER) (x1).

ITEM 4 = M12 x 105mm LONG HEX HEAD BOLT (LHS BOLT) (x1).

ITEM 5 = LW0001 (M12 SHAKE PROOF WASHERS) (x2).

ITEM 6 = M12 PLAIN WASHERS (x2).

ITEM 7 = B0472 with CS0478 (12mm) (R-H-S CRASH PROTECTOR) (x1).

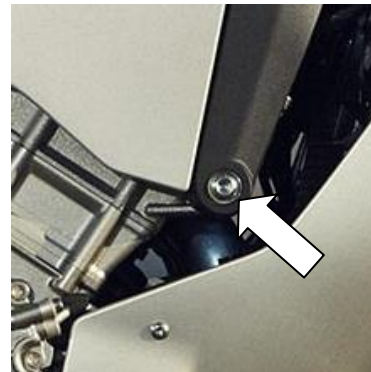
ITEM 8 = M12 x 65mm LONG HEX HEAD BOLT (RHS BOLT) (x1).

### **You will need the following tools to complete this job.**

- Socket set to include 19mm socket and wrench.
- 8 and 10mm A/F Allen key or socket bit.
- Torque wrench (up to 40Nm).



PICTURE 1



PICTURE 2



## FITTING INSTRUCTIONS

### *Near side (left side as you sit on bike)*

- Remove the engine mounting bolt arrowed in picture '1'. Please leave all spacer's/bushes in place.
- Slide one of the 12mm washers (item 6) onto the longer M12 hexagon headed bolt (item 4) so washer sits against head of bolt.
- Slide serrated locking washer (item 5) over the bolt so it sits against the washer just fitted.
- Next slide bolt and washer through the crash protector with the shorter spigot (item 2) so head of bolt goes into counter-bore in the crash protector.
- Next slide the spacer (item 3=46.5mm long) over bolt so it sits against the crash protector (the amount of bolt protruding from spacer should be the same as the original engine mounting bolt).
- Offer this assembly up to frame mount and tighten bolt until you feel some compression from inside the protector using 19mm socket and wrench. **PLEASE NOTE THE CRASH PROTECTOR MUST BE POSITIONED AS IN PICTURE 'C' ABOVE WITH BIGGER END TOWARD FRONT OF BIKE.** Turn a little more so that you feel the compression increase slightly. Then apply a quarter turn. Do not overtighten as damage can occur to the bike. Do not exceed 40Nm of torque.
- If not already fitted, fit the bubble sticker into recess of crash protector cap (item 1).
- Fit the crash protector cap (item 1) into the crash protector.

### *Off side (right side as you sit on bike)*

- Remove the engine mounting bolt arrowed in picture '2'. Please leave all spacer's/bushes in place.
- Slide one of the 12mm washers (item 6) onto the shorter M12 hexagon headed bolt (item 8) so washer sits against head of bolt.
- Slide serrated locking washer (item 5) over the bolt so it sits against the washer just fitted.
- Next slide bolt and washer through the crash protector with the longer spigot (item 7) so head of bolt goes into counter-bore in the crash protector (the amount of bolt protruding from spigot should be the same as the original engine mounting bolt).
- Offer this assembly up to frame mount and tighten bolt until you feel some compression from inside the protector using 19mm socket and wrench. **PLEASE NOTE THE CRASH PROTECTOR MUST BE POSITIONED AS IN PICTURE 'C' ABOVE WITH BIGGER END TOWARD FRONT OF BIKE.** Turn a little more so that you feel the compression increase slightly. Then apply a quarter turn. Do not overtighten as damage can occur to the bike. Do not exceed 40Nm of torque.
- If not already fitted, fit the bubble sticker into recess of crash protector cap (item 1).
- Fit the crash protector cap (item 1) into the crash protector.

Digital copies of these instructions are available to download from [www.rg-racing.com](http://www.rg-racing.com)

- GENERAL TORQUE SETTINGS
  - M4 BOLT = 8Nm
  - M5 BOLT = 12Nm
  - M6 BOLT = 15Nm
  - M8 BOLT = 20Nm
  - M10 BOLT = 40Nm
  - M10 NYLOC NUT = 40Nm

R&G Racing

Unit 1, Shelley's Lane, East Worldham, Alton, Hampshire, GU34 3AQ

Tel: +44 (0)1420 89007 Fax: +44 (0)1420 87301 [www.rg-racing.com](http://www.rg-racing.com) Email: [info@rg-racing.com](mailto:info@rg-racing.com)



Issue 1 (NSY) 23/03/2015

#### **CONSUMER NOTICE**

The catalogue description and any exhibition of samples are only broad indications of the Products and R&G may make design changes which do not diminish their performance or visual appeal and supplying them in such state shall conform to the order. The Buyer acknowledges no representation or warranty (other than as to title) has been given or will apply to the Products other than those in R&G's order or confirmation and the Buyer confirms it has chosen the Products as being of merchantable quality and suitable for its particular purposes. Where R&G fits the Products or undertakes other services it shall exercise reasonable skill and care and rectify any fault free of charge unless the workmanship has been disturbed. The Buyer is responsible for ensuring that the warranty on the motorcycle is not affected by the fitting of the Products. On return of any defective Products R&G shall at its option either supply a replacement or refund the purchase money but shall not be liable if the Products have been modified or used or maintained otherwise than in accordance with R&G's or manufacturer's instructions and good engineering practice or if the defect arises from accident or neglect. Other than identified above and subject to R&G not limiting its liability for causing death and personal injury, it shall not be liable for indirect or consequential loss and otherwise its liability shall be limited to the amounts paid by the Buyer for the Products or the fitting or service concerned. These terms do not affect the Buyer's statutory rights.

#### **R&G RACING RETURNS POLICY (NON-FAULTY GOODS)**

Returns must be pre-authorized (if not pre-authorized the return will be rejected). Goods may only be returned direct to us if they were purchased direct from us (customer must prove if necessary). Otherwise to be returned to original vendor. Goods must be in re-sellable condition, in the opinion of R&G Racing. All returns are subject to a 25% restocking and handling fee (25% of the gross value exc. P&P – at the prevailing price at time of purchase). The customer must pay any and all carriage charges. No returns of discontinued products, unless within 14 days of purchase. This policy does not affect your statutory rights and does not refer to faulty goods.



**INSTRUCTIONS POUR CP0388 PROTECTIONS LATERALES**  
**YAMAHA YZF R1 2015-**



PHOTO 'A'



PHOTO 'B'



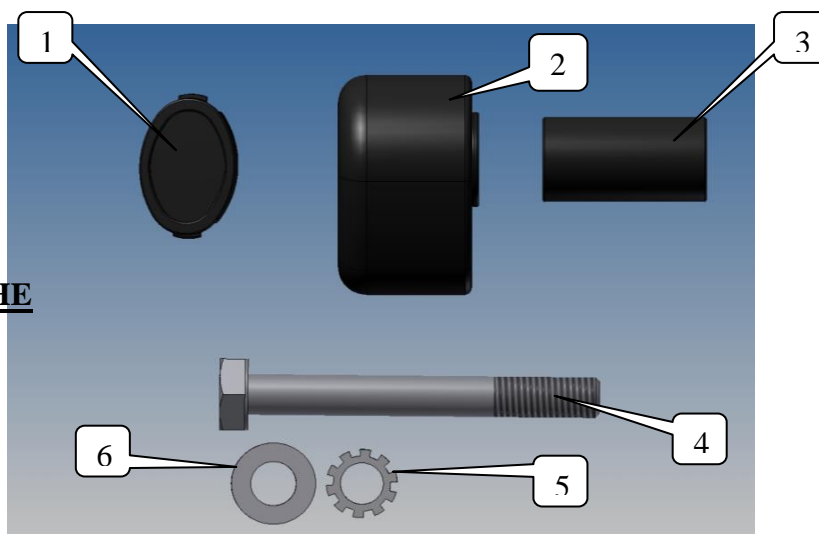
Arrière de la moto

Avant moto

PHOTO 'C'

LA FAÇON DONT LE KIT EST EMBALLE NE CORRESPOND PAS FORCLEMENT A LA FAÇON DE MONTER LES PIECES SUR LA MOTO.

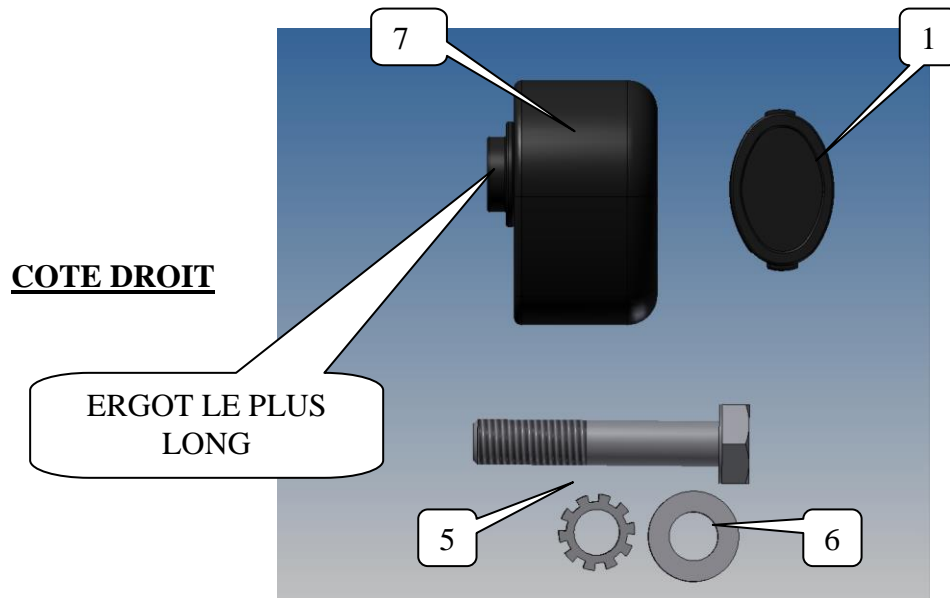
Notez que si les kits sont emballés avec des rondelles en caoutchouc servant à tenir les composants, *ces rondelles doivent être jetées!*

**COTE GAUCHE**

R&amp;G Racing

Unit 1, Shelley's Lane, East Worldham, Alton, Hampshire, GU34 3AQ

Tel: +44 (0)1420 89007 Fax: +44 (0)1420 87301 [www.rg-racing.com](http://www.rg-racing.com) Email: [info@rg-racing.com](mailto:info@rg-racing.com)



### **LEGENDE**

- ARTICLE 1 = BC0002 CRASH PROTECTOR CAPS (x2).  
 ARTICLE 2 = B0472 with CS0477 (12mm) (L-H-S CRASH PROTECTOR) (x1).  
 ARTICLE 3 = S0869 SPACER 46.5mm LONG (L-H-S SPACER) (x1).  
 ARTICLE 4 = M12 x 105mm LONG HEX HEAD BOLT (LHS BOLT) (x1).  
 ARTICLE 5 = LW0001 (M12 SHAKE PROOF WASHERS) (x2).  
 ARTICLE 6 = M12 PLAIN WASHERS (x2).  
 ARTICLE 7 = B0472 with CS0478 (12mm) (R-H-S CRASH PROTECTOR) (x1).  
 ARTICLE 8 = M12 x 65mm LONG HEX HEAD BOLT (RHS BOLT) (x1).

### **You will need the following tools to complete this job.**

- Clé à douille 19m.
- 8 and 10mm A/F Allen key or socket bit.
- Torque wrench (up to 40Nm).



PHOTO 1

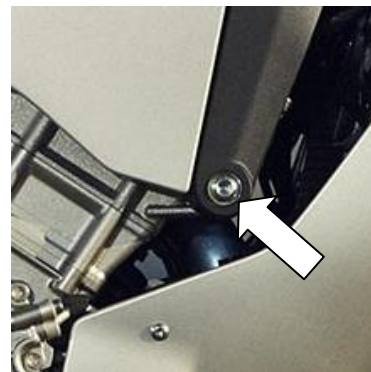


PHOTO 2





## FITTING INSTRUCTIONS

### *Near side (left side as you sit on bike)*

- Remove the engine mounting bolt arrowed in photo '1'. Please leave all spacer's/bushes in place.
- Slide one of the 12mm washers (article 6) onto the longer M12 hexagon headed bolt (article 4) so washer sits against head of bolt.
- Slide serrated locking washer (article 5) over the bolt so it sits against the washer just fitted.
- Next slide bolt and washer through the crash protector with the shorter spigot (article 2) so head of bolt goes into counter-bore in the crash protector.
- Next slide the spacer (article 3=46.5mm long) over bolt so it sits against the crash protector (the amount of bolt protruding from spacer should be the same as the original engine mounting bolt).
- Offer this assembly up to frame mount and tighten bolt until you feel some compression from inside the protector using 19mm socket and wrench. **PLEASE NOTE THE CRASH PROTECTOR MUST BE POSITIONED AS IN PHOTO 'C' ABOVE WITH BIGGER END TOWARD FRONT OF BIKE.** Turn a little more so that you feel the compression increase slightly. Then apply a quarter turn. Do not overtighten as damage can occur to the bike. Do not exceed 40Nm of torque.
- If not already fitted, fit the bubble sticker into recess of crash protector cap (article 1).
- Fit the crash protector cap (article 1) into the crash protector.

### *Off side (right side as you sit on bike)*

- Remove the engine mounting bolt arrowed in photo '2'. Please leave all spacer's/bushes in place.
- Slide one of the 12mm washers (article 6) onto the shorter M12 hexagon headed bolt (article 8) so washer sits against head of bolt.
- Slide serrated locking washer (article 5) over the bolt so it sits against the washer just fitted.
- Next slide bolt and washer through the crash protector with the longer spigot (article 7) so head of bolt goes into counter-bore in the crash protector (the amount of bolt protruding from spigot should be the same as the original engine mounting bolt).
- Offer this assembly up to frame mount and tighten bolt until you feel some compression from inside the protector using 19mm socket and wrench. **PLEASE NOTE THE CRASH PROTECTOR MUST BE POSITIONED AS IN PHOTO 'C' ABOVE WITH BIGGER END TOWARD FRONT OF BIKE.** Turn a little more so that you feel the compression increase slightly. Then apply a quarter turn. Do not overtighten as damage can occur to the bike. Do not exceed 40Nm of torque.
- If not already fitted, fit the bubble sticker into recess of crash protector cap (article 1).
- Fit the crash protector cap (article 1) into the crash protector.

Digital copies of these instructions are available to download from [www.rg-racing.com](http://www.rg-racing.com)

- GENERAL TORQUE SETTINGS

- M4 BOLT = 8Nm
- M5 BOLT = 12Nm
- M6 BOLT = 15Nm
- M8 BOLT = 20Nm
- M10 BOLT = 40Nm
- M10 NYLOC NUT = 40Nm



Issue 1 (NSY) 23/03/2015

#### **CONSUMER NOTICE**

The catalogue description and any exhibition of samples are only broad indications of the Products and R&G may make design changes which do not diminish their performance or visual appeal and supplying them in such state shall conform to the order. The Buyer acknowledges no representation or warranty (other than as to title) has been given or will apply to the Products other than those in R&G's order or confirmation and the Buyer confirms it has chosen the Products as being of merchantable quality and suitable for its particular purposes. Where R&G fits the Products or undertakes other services it shall exercise reasonable skill and care and rectify any fault free of charge unless the workmanship has been disturbed. The Buyer is responsible for ensuring that the warranty on the motorcycle is not affected by the fitting of the Products. On return of any defective Products R&G shall at its option either supply a replacement or refund the purchase money but shall not be liable if the Products have been modified or used or maintained otherwise than in accordance with R&G's or manufacturer's instructions and good engineering practice or if the defect arises from accident or neglect. Other than identified above and subject to R&G not limiting its liability for causing death and personal injury, it shall not be liable for indirect or consequential loss and otherwise its liability shall be limited to the amounts paid by the Buyer for the Products or the fitting or service concerned. These terms do not affect the Buyer's statutory rights.

#### **R&G RACING RETURNS POLICY (NON-FAULTY GOODS)**

Returns must be pre-authorized (if not pre-authorized the return will be rejected). Goods may only be returned direct to us if they were purchased direct from us (customer must prove if necessary). Otherwise to be returned to original vendor. Goods must be in re-sellable condition, in the opinion of R&G Racing. All returns are subject to a 25% restocking and handling fee (25% of the gross value exc. P&P – at the prevailing price at time of purchase). The customer must pay any and all carriage charges. No returns of discontinued products, unless within 14 days of purchase. This policy does not affect your statutory rights and does not refer to faulty goods.