



**FITTING INSTRUCTIONS FOR SP0085BK SPINDLE PROTECTOR
BENELLI TNT 125 2017-**



**THIS KIT CONTAINS THE ITEMS PICTURED AND LABELLED BELOW.
DO NOT PROCEED UNTIL YOU ARE SURE ALL PARTS ARE PRESENT.**

Please note that the way the kit is packed does not necessarily represent the way of mounting to the bike.

THE PARTS SHOWN MAY BE REPRESENTATIVE ONLY (FOR CLARITY OF INSTRUCTIONS ONLY).

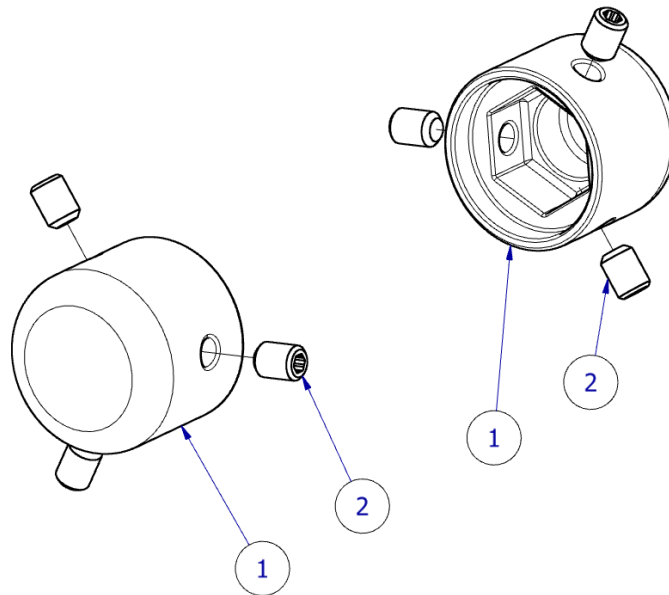
Digital copies of these instructions are available to download from www.rg-racing.com

TOOLS REQUIRED

- 3mm Metric Allen Key



Assembly Diagram 1



LEGEND

ITEM 1 = B0489 CRASH PROTECTOR (x2)

ITEM 2 = M6 x 6mm GRUB SCREW (x6)

FITTING INSTRUCTIONS

- If not already fitted, thread one grub screw (item 2) into each hole of the crash protectors (item 1) as shown in **Assembly Diagram 1** and leave loose.
- Using one crash protector assembly per side, fit the hexagon recess of each over each end of the rear spindle and push on as far as the protector will allow.
- Tighten the 3 grub screws (item 2) using a 3mm allen key evenly until the grub screws grip the flats of the spindle securely, taking care not to overtighten the screws.

ISSUE 1 03/07/2019 (DM)

CONSUMER NOTICE

The catalogue description and any exhibition of samples are only broad indications of the Products and R&G may make design changes which do not diminish their performance or visual appeal and supplying them in such state shall conform to the order. The Buyer acknowledges no representation or warranty (other than as to title) has been given or will apply to the Products other than those in R&G's order or confirmation and the Buyer confirms it has chosen the Products as being of merchantable quality and suitable for its particular purposes. Where R&G fits the Products or undertakes other services it shall exercise reasonable skill and care and rectify any fault free of charge unless the workmanship has been disturbed. The Buyer is responsible for ensuring that the warranty on the motorcycle is not affected by the fitting of the Products. On return of any defective Products R&G shall at its option either supply a replacement or refund the purchase money but shall not be liable if the Products have been modified or used or maintained otherwise than in accordance with R&G's or manufacturer's instructions and good engineering practice or if the defect arises from accident or neglect. Other than identified above and subject to R&G not limiting its liability for causing death and personal injury, it shall not be liable for indirect or consequential loss and otherwise its liability shall be limited to the amounts paid by the Buyer for the Products or the fitting or service concerned. These terms do not affect the Buyer's statutory rights.

R&G RETURNS POLICY (NON-FAULTY GOODS)

Returns must be pre-authorized (if not pre-authorized the return will be rejected). Goods may only be returned direct to us if they were purchased direct from us (customer must prove if necessary). Otherwise to be returned to original vendor. Goods must be in re-sellable condition, in the opinion of R&G. All returns are subject to a 25% restocking and handling fee (25% of the gross value exc. P&P - at the prevailing price at time of purchase). The customer must pay any and all carriage charges. No returns of discontinued products, unless within 14 days of purchase. This policy does not affect your statutory rights and does not refer to faulty goods.

R&G

Unit 1, Shelley's Lane, East Worldham, Alton, Hampshire, GU34 3AQ

Tel: +44 (0)1420 89007 Fax: +44 (0)1420 87301 www.rg-racing.com Email: info@rg-racing.com



**NOTICE DE MONTAGE POUR SP0085BK PROTECTION MOYEU
BENELLI TNT 125 2017-**



Le kit contient les articles exposés ci-dessous, vérifier que toutes les pièces soient présentes avant de procéder au montage.

La façon dont le kit est emballé ne correspond pas forcément à la façon de monter les pièces sur la moto.

LES PARTIES PRESENTEES PEUVENT ETRE UNIQUEMENT REPRESENTATIVES (POUR LA CLARTE DES INSTRUCTIONS UNIQUEMENT.

Notice disponible au téléchargement sur www.rg-racing.com

OUTILS REQUIS

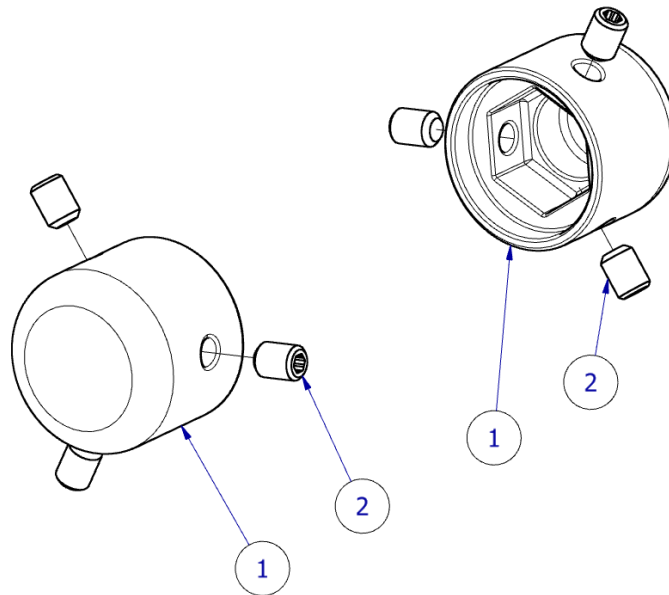
- Clé Allen 3mm

R&G

Unit 1, Shelley's Lane, East Worldham, Alton, Hampshire, GU34 3AQ
Tel: +44 (0)1420 89007 Fax: +44 (0)1420 87301 www.rg-racing.com Email: info@rg-racing.com



Schéma de montage 1



LEGEND

ARTICLE 1 = B0489 PROTECTION CRASH (x2)

ARTICLE 2 = M6 x 6mm VIS (x6)

NOTICE DE MONTAGE

- Si cela n'est pas déjà fait, vissez une vis (article 2) dans chaque trou des protections crash (article 1) comme indiqué sur le schéma de montage 1 et laissez-les desserrés.
- En utilisant un ensemble de protection crash de chaque côté, montez le renforcement hexagonal sur chaque extrémité du moyeu arrière, puis poussez aussi loin que la protection le permet.
- Serrez les 3 vis (article 2) à l'aide d'une clé Allen de 3mm de manière uniforme jusqu'à ce que les vis tiennent fermement les méplats de l'axe, en veillant à ne pas trop serrer les vis.

ISSUE 1 03/07/2019 (DM)

R&G

Unit 1, Shelley's Lane, East Worldham, Alton, Hampshire, GU34 3AQ

Tel: +44 (0)1420 89007 Fax: +44 (0)1420 87301 www.rg-racing.com Email: info@rg-racing.com



**MONTAGEANLEITUNG FÜR SP0085BK SCHWINGENPROTEKTOREN
BENELLI TNT 125 2017-**



ALLE TEILE SIND UNTEN ABGEBILDET UND GEKENNZEICHNET. BEVOR SIE MIT DER MONTAGE BEGINNEN, ÜBERPRÜFEN SIE, DASS ALLE TEILE VORHANDEN SIND.

Hinweis: Die Verpackung der Teile stellt nicht die Reihenfolge der Montage dar.

DIE UNTEN ABGEBILDETEN TEILE DIENEN LEDIGLICH ZUR ERKLÄRUNG

Eine digitale Version dieser Montageanleitung kann auf folgender Seite heruntergeladen werden: www.rg-racing.com

SIE BENÖTIGEN FOLGENDES WERKZEUG

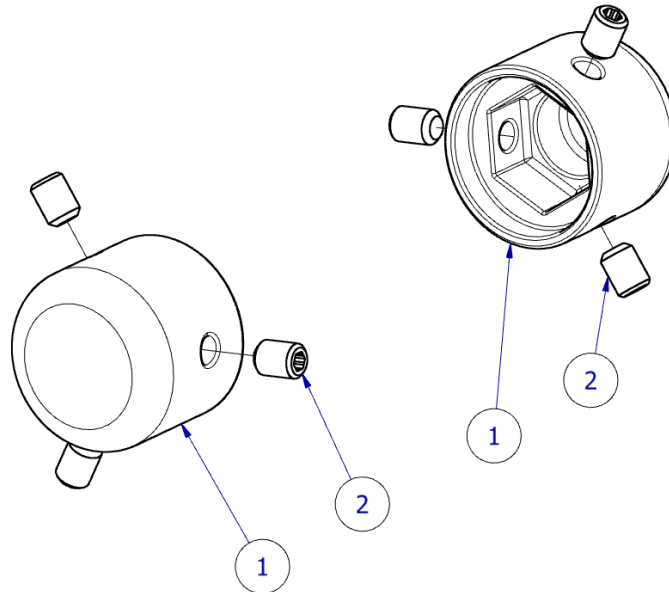
- 3mm Inbusschlüssel

R&G

Unit 1, Shelley's Lane, East Worldham, Alton, Hampshire, GU34 3AQ
Tel: +44 (0)1420 89007 Fax: +44 (0)1420 87301 www.rg-racing.com Email: info@rg-racing.com



Zusammenbau – Zeichnung 1



LIEFERUMFANG

ARTIKEL 1 = B0489 STURZPAD (x2)

ARTIKEL 2 = M6 x 6mm MADENSCHRAUBE (x6)

MONTAGEANLEITUNG

- Falls sie noch nicht montiert sind, jeweils eine Madenschraube (Artikel 2) lose in die Öffnung des Sturzpads (Artikel 1) eindrehen wie in der Zeichnung **Zusammenbau 1** abgebildet.
- Montieren Sie eine Sturzpad-Einheit an jeder Seite – die achteckige Vertiefung des Sturzpads am Ende der hinteren Schwinge anbringen und soweit wie das Sturzpad es zulässt eindrücken.
- Die 3 Madenschrauben (Artikel 2) mit einem 3mm Inbusschlüssel gleichmäßig festziehen, bis die Madenschrauben die Schwinge sicher greifen – bitte darauf achten, dass Sie die Schrauben nicht überziehen.

AUSGABE 1 03/07/2019 (DM)

R&G

Unit 1, Shelley's Lane, East Worldham, Alton, Hampshire, GU34 3AQ

Tel: +44 (0)1420 89007 Fax: +44 (0)1420 87301 www.rg-racing.com Email: info@rg-racing.com