

HYPERPRO

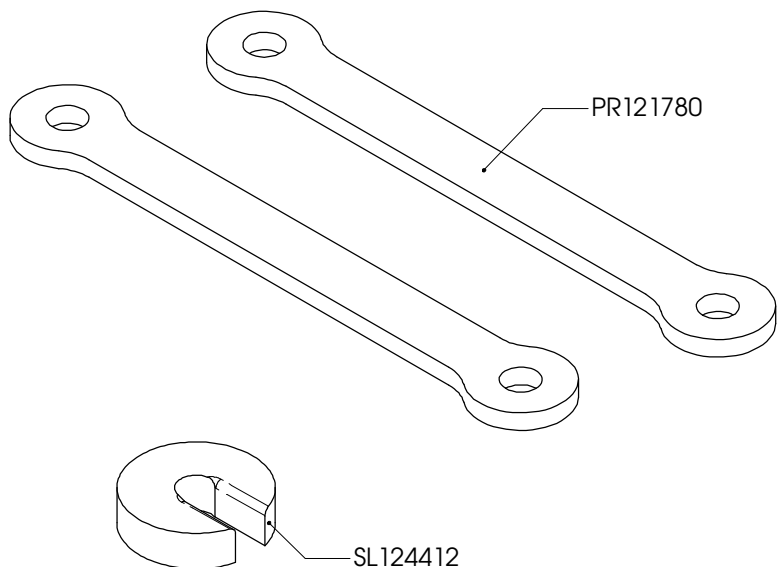
LOWERING KIT / VERLAGINGSSET for

YAMAHA FZR 600 R Models '94-'95

LK-YA06-005-40 PART LIST

PR121780 - Pull rod/ trekstang	2
SL124412 - Stroke limiter/ slagbeperker	1
-	-
-	-

ALL IDEAS, DESIGNS, ARRANGEMENTS AND PLANS INDICATED OR REPRESENTED BY THIS DRAWING ARE OWNED BY HYPERPRO AND WERE CREATED, EVOLVED AND DEVELOPED FOR USE ON AND IN CONNECTION WITH THE SPECIFIC PROJECT. NONE SUCH IDEAS, DESIGNS, ARRANGEMENTS OR PLANS SHALL BE USED BY OR DISCLOSED TO ANY PERSON, FIRM OR CORPORATION FOR ANY PURPOSE WHATSOEVER WITHOUT THE WRITTEN PERMISSION OF HYPERPRO.



See WWW.HYPERPRO.COM for more info about our products.

Inbouw handleiding

VOORZIJD

De vorkpoten maximaal 20mm door de bovenste kroonplaat heen steken. De veer-voorspanning minimaal zetten (tegen de klok in draaien). Luchtkamer naar 80mm brengen (gemeten met de poten ingedrukt, zonder veer).

ACHTERZIJD

De bestaande trekstangen vervangen door de HYPERPRO trekstangen. De slagbeperker boven op het aanslagrubber van de achterschokbreker plaatsen. Het achterwiel eerst belasten voordat de link vastgezet wordt.

LET OP! DE LENGTE VAN DE ZIJSTANDAARD MOET 25-30mm INGEKORT WORDEN.

Instruction manual

FRONT

Mount the fork legs max 20mm through the triple clamp. Turn the preload adjuster to minimum preload (counter clockwise). Reduce the air chamber to 80mm (measured with the fork legs pressed in, without spring).

REAR

Replace the original pull rods by the HYPERPRO lowering pull rods. Put the stroke limiter on top of the bump rubber of the rear shock. Put some pressure on the rear wheel before tightening the link.

WARNING! SHORTEN THE SIDE-STAND 25-30mm.

