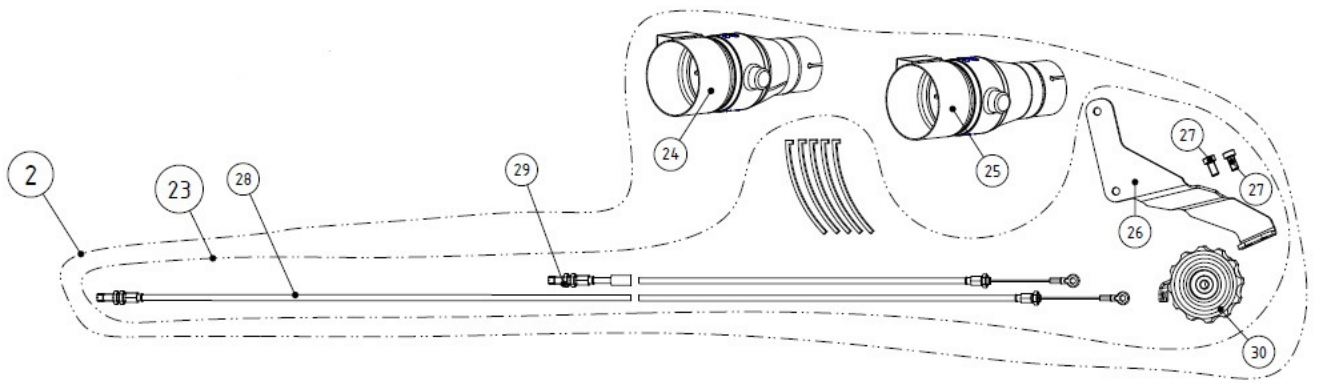


**WARNING! EC TYPE APPROVAL IS NOT VALID
WHEN OPTIONAL VALVE SYSTEM IS INSTALLED!**



No.	SALES CODE	DESCRIPTION	QTY.
2	P-HDV3/1	valve set	1
23	P-HF643	fitting kit	1
24	LP-HDST2/1	link pipe with valve	1
25	LP-HDDY4/1	link pipe with valve	1
26	P-X76	bracket SS	1
27	P-FB31	bolt	2
28	P-HF631	braids exup valve	1
29	P-HF644	cable wire L=1370mm	1
30	P-HF639	switch	1