

Kit Contents

Description	Part No	Pcs
Shock absorber	FGK227	1
Öhlins sticker white	00191-32	2
Öhlins sticker blue	00191-33	2
Owner's manual	07284-01	1

👁 Note!

Before installing this product, check the contents of the kit. If anything is missing, please contact an Öhlins dealer.

⚠ Warning!

This kit should only be installed by an authorized Öhlins dealer. The installation procedure requires certain tools.

⚠ Warning!

Before installing this product, read the Öhlins Owner's Manual. The shock absorber/front fork/steering damper is an important part of your vehicle and will affect the stability.

👁 Note!

Please note that this image is a general representation of the product and may differ slightly from your product.

👁 Note!

Please note that during storage and transportation, especially at high ambient temperature, some of the oil and grease used for assembling may leak and stain the packaging. This is in no way detrimental to the product, wipe off the excessive oil/grease with a cloth.

Front Fork Kit for Kawasaki ZX-6R 636

FGK 227

Mounting Instructions

MOUNTING INSTRUCTIONS

👁 Note!

The front fork is a very important part of the vehicle and will therefore affect the stability.

👁 Note!

Read and make sure that you understand the information in this manual before you use this product. If you have any questions regarding installation or maintenance please contact your nearest Öhlins dealer.

👁 Note!

Öhlins Racing AB can not be held responsible for any damage to the front fork, vehicle, other property or injury to persons, if the instructions for installing and maintenance are not followed exactly.

⚠ Warning!

This product was developed and designed exclusively for a specific vehicle model and should only be installed on the intended vehicle model in its original condition as delivered from the vehicle manufacturer.

⚠ *After installing this product, take a test ride at low speed to make sure that your vehicle has maintained its stability.*

👁 Note!

When working on this product, always consult your Vehicle Service Manual.

👁 Note!

This Manual should be considered as a part of the product and should therefore accompany the product throughout its life cycle.

Safety Symbols

In this manual, mounting instructions and other technical documents, important information concerning safety is distinguished by the following symbols:



The Safety Alert Symbol means: Warning! Your safety is involved.

⚠ Warning!

The Warning Symbol means: Failure to follow warning instructions can result in severe or fatal injury to anyone working with, inspecting or using the front fork, or to bystanders.



Caution!

The Caution Symbol means: Special precautions must be taken to avoid damage to the front fork.

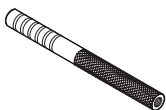
👁 Note!

The Note Symbol indicates information that is important regarding procedures.

© Öhlins Racing AB. All rights reserved. Any reprinting or unauthorized use without the written permission of Öhlins Racing AB is prohibited. Printed in Sweden.

TOOLS

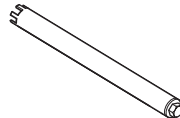
Tool 01765-03



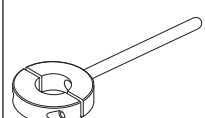
Tool 00797-08



Tool 01797-07



Tool 00786-08 (Ø41)



1 - REMOVE ORIGINAL FRONT FORK

⚠ Warning!

It is advisable to have an Öhlins dealer install the shock absorber/front fork/steering damper.

⚠ Warning!

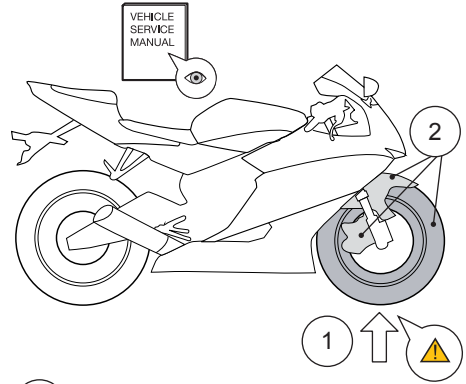
If working on a raised vehicle, ensure it is securely supported so that it will not tip.

👁 Note!

Before mounting this product clean the vehicle thoroughly.

👁 Note!

When working on this product, always see the Vehicle Service Manual for vehicle specific procedures and important data.



1.1

Put the motorcycle on a workstand so that the front wheel barely touches the ground.

1.2

Remove the front fender, the brake calipers and the front wheel.

1.3

Release the spring preload.

1.4

Loosen the upper triple clamp by loosening the screws.

1.5

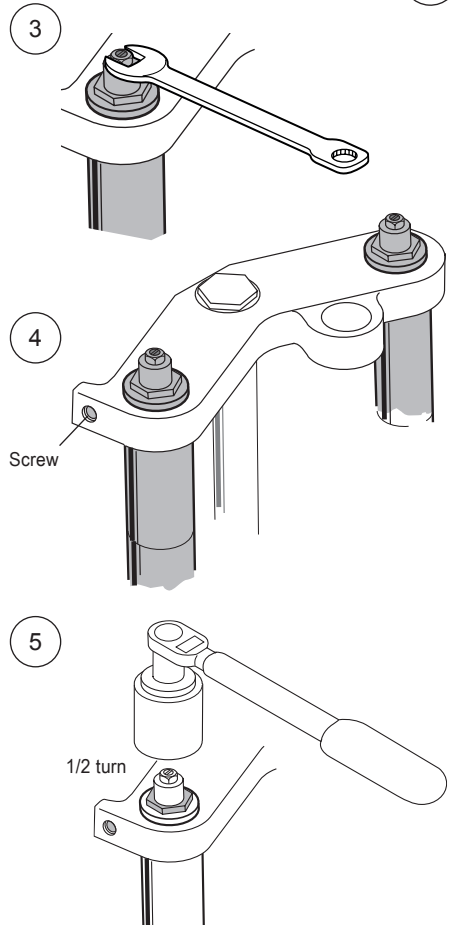
Loosen (do not remove) the top cap 1/2 turn.

1.6

Loosen the lower triple clamp by loosening the screws.

1.7

Remove the front fork legs from the triple clamps.



2 - DISASSEMBLE ORIGINAL FORK

2.1

Loosen the top cap from the outer tube.

2.2

Pull down the outer tube.

2.3

Remove the top cap by loosening it from the shaft. Use appropriate tool according to your vehicle service manual.

2.4

Loosen the seal head from the steel tube to remove the cartridge. Use appropriate tool according to your vehicle service manual.

Caution!

Make sure that the lose parts will not fall out when draining the fork leg.

2.5

Drain the fork leg from oil. Remove the spring and surrounding parts from the fork leg.

2.6

Loosen the steel tube lock screw at the fork bottom.

Caution!

If the lock screw is not removed the steel tube will be damaged.

Note!

Use a heat gun to soften the Loctite between the lock screw and the fork bottom.

2.7

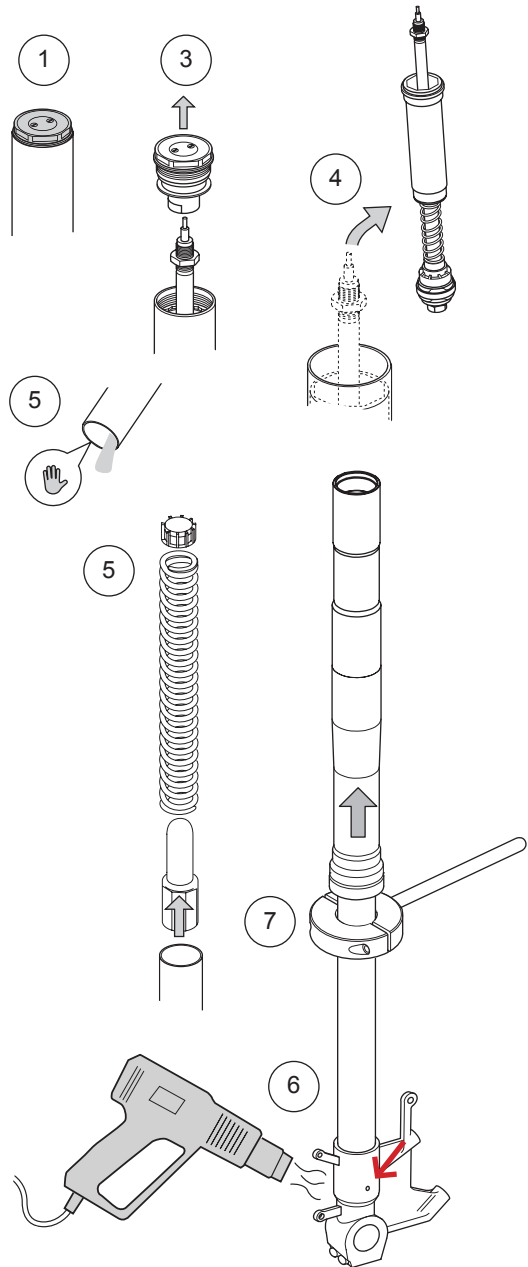
Push the outer tube as far up as possible. Use tool 00786-05, install it close to the outer tube. Loosen the steel tube from the fork bottom.

Note!

Use a heat gun to soften the Loctite between the steel tube and the fork bottom.

Note!

Do not remove tool 00786-05 from the steel tube. You will need it to reinstall the steel tube.



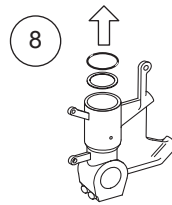
2 - DISASSEMBLE ORIGINAL FORK

2.8

Remove the o-ring and the steel washer from the fork bottom.

Note!

The steel washer will not be used for the Öhlins kit and shall therefore not be reinstalled.



3 - INSTALL ÖHLINS FRONT FORK KIT

Caution!

Work with only one fork leg at a time. Do not mix the parts.

Caution!

The front fork kit is divided into one compression cartridge and one rebound cartridge.

Important:

- ▶ Install the cartridge marked *Reb* (Rebound) in the right side fork leg.
- ▶ Install the cartridge marked *Comp* (Compression) in the left side fork leg.

3.1

Remove the top cap.

3.2

Remove the spring support and the preload tube.

3.3

Remove the cylinder tube from the cartridge.

Caution!

Be careful not to damage the piston ring.

3.4

Loosen the steel adaptor from the cylinder tube's adaptor.

3.5

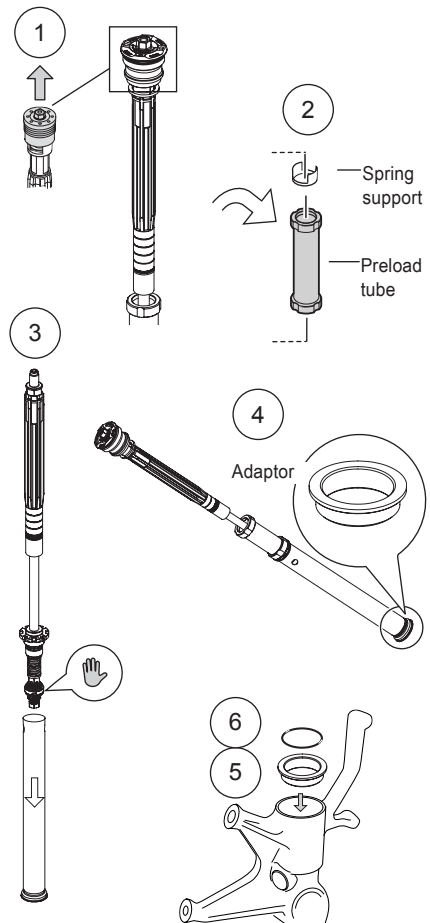
Install the steel adaptor.

Note!

Make sure to install the adaptor correctly. See figure.

Note!

The original steel washer (Removed in step 2.8) shall not be reinstalled.



3 - INSTALL ÖHLINS FRONT FORK KIT

3.6

Apply red grease on the original o-ring and install it into the fork bottom.

3.7

Reinstall the steel tube.

Loctite 2701.

Tightening torque 130 Nm.

3.8

Reinstall the steel tube lock screw.

Loctite 2701.

Tightening torque 3 Nm.

3.9

Put the cylinder tube carefully into the fork leg.

Use an extended 17 mm allen key to tighten the cylinder tube's adaptor to the steel adaptor.

Loctite 243 (on the adaptor thread)

Tightening torque 40 Nm.

Caution!

Be careful not to damage the inside of the cylinder tube when tightening with the extended allen key.

3.10

Pour 0,5 litre Öhlins Front Fork fluid into the fork leg.

3.11

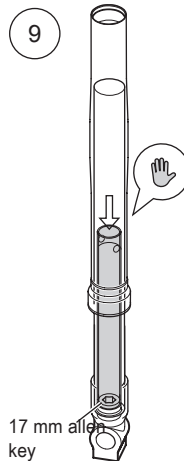
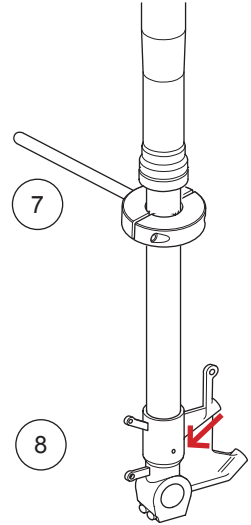
Put the cartridge carefully in the fork leg. Tighten to the cylinder tube with tool 01797-07. Apply red grease on the seal head thread. Tightening torque 20 Nm.

Caution!

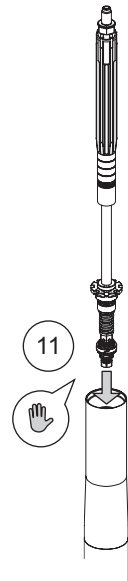
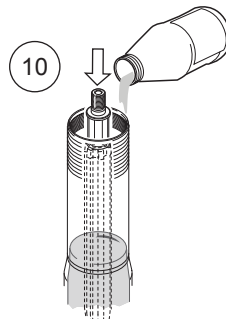
Make sure that the piston ring is in its correct position and be careful not to damage it.

3.12

Open the compression and the rebound adjuster fully. Install the top cap directly to the shaft extension (No spring or preload tube). Pull up the outer tube and tighten it to the top cap. Handtighten only.



17 mm allen key



3 - INSTALL ÖHLINS FRONT FORK KIT

3.13

Pump out all air from the cartridge by pulling the outer tube up and down 10-15 times.

3.14

Remove the top cap from the fork leg.

3.15

Make sure the shaft assembly is in the bottom of the fork leg and that the outer tube is in its bottom position. Measure the oil level with a ruler. See set-up data and oil level-force diagram in this folder.

3.16

Fasten tool 01765-03 on the top of the shaft extensioner, install preload tube, spring and upper spring support by leading them over the tool. See the Owner's Manual for available springs.

3.17

Pull up the shaft assembly and grab the spring support with a 19 mm wrench.

3.18

Make sure that the comp/rebound adjusters are fully open before installing the top cap. Remove the pull-up tool and install the top cap to the shaft extensioner. Torque 15 Nm.

3.19

Pull up the outer tube. Make sure the fork leg is in a fully extended position. Use tool 00797-08 to tighten the top cap to the outer tube. Tightening torque 10 Nm.

3.20

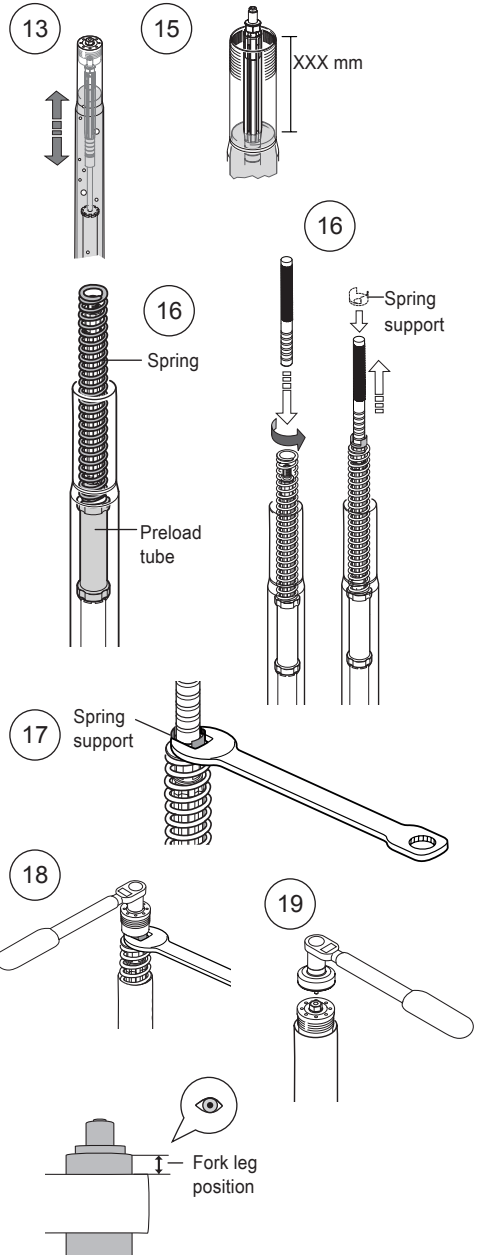
Set the spring preload, rebound and compression adjusters according to adjustments and set-up data in this manual.

3.21

Install the front fork legs into the triple clamps at the position recommended in set-up data (Fork leg position). Tightening torque:
According to your vehicle service manual.

👁️ **Note!**

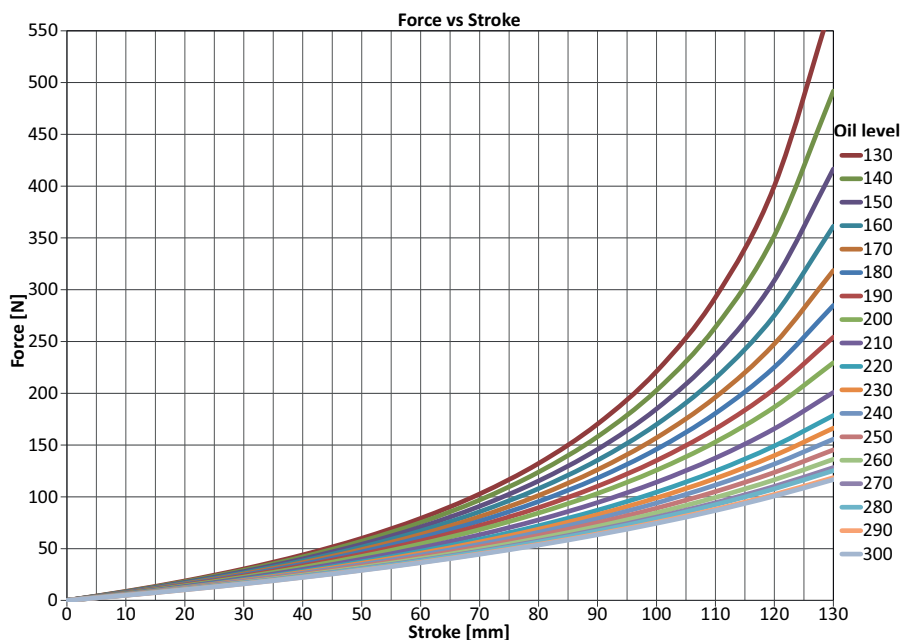
Measure the fork leg extension from the upper triple clamp to the top of the outer tube.



SET-UP DATA

Rebound	12	clicks
Compression	12	clicks
Spring preload	5	mm
Spring rate	9.5	N/mm
Oil level	170	mm
Fork leg position	stand. pos.	
Öhlins front fork fluid	01309-01	

DIAGRAM - OIL LEVEL/SPRING FORCE



👁️ Öhlins products are subject to continuous improvement and development, therefore, although these instructions include the most up-to-date information available at the time of printing, minor updates may occur.

To find the latest information contact an Öhlins distributor. Please contact Öhlins if you have any questions regarding the contents in this document.

Part no. MI_FGK227_0
Issued 2013-05-06

© Öhlins Racing AB. All rights reserved. Any reprinting or unauthorized use without the written permission of Öhlins Racing AB is prohibited.

Öhlins Racing AB
Box 722
S-194 27 Upplands Väsby, Sweden
Phone +46 8 590 025 00
fax +46 8 590 025 80



www.ohlins.com