

Kit Contents		
Description	Part No	Pcs
Shock absorber	YA429	1
Washer	00426-02	1
Tie-rod	00231-01	3
Sticker Memo notes	01180-01	1
Sticker set Öhlins		1
Owners manual	07241-02	1

**👁 Note!**

Please note that there can be small differences between your product and the images in these instructions.

**👁 Note!**

Please note that during storage and transport, especially at high ambient temperature, some of the oil and grease used for assembly may leak and stain the packaging. This will not cause damage to the product, wipe off the excessive oil or grease with a cloth.

**👁 Note!**

Before you install this product, check the kit contents. If anything is missing, please contact an Öhlins dealer.

**⚠ Warning!**

Before you install this product, read the Öhlins Owner's manual. This product is an important part of the vehicle and the vehicle stability.

## Shock absorber for Yamaha Tracer 700

# YA 429

### Mounting Instructions



# MOUNTING INSTRUCTIONS

## **⚠ Warning!**

*We strongly recommend to let an Öhlins dealer install this product.*

## **⚠ Warning!**

*If you work with a lifted vehicle, make sure that it is safely supported to prevent it from tipping over.*

## **👁 Note!**

*When you work with this product, see the vehicle service manual for vehicle specific procedures and important data.*

## **👁 Note!**

*Before you install this product clean the vehicle.*

**1**

Put the motorcycle on a work stand so that the rear wheel barely touches the ground.

**2**

Remove the mud-chain guard.

**3**

Remove the shock mounting screws and the standard shock absorber.

**4**

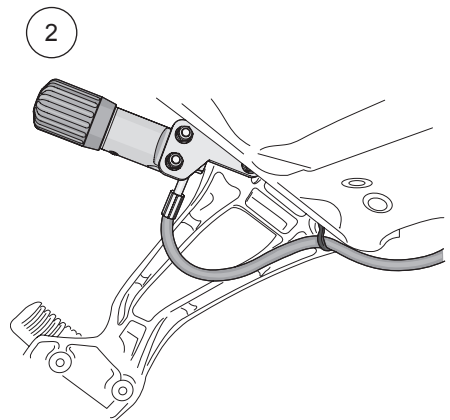
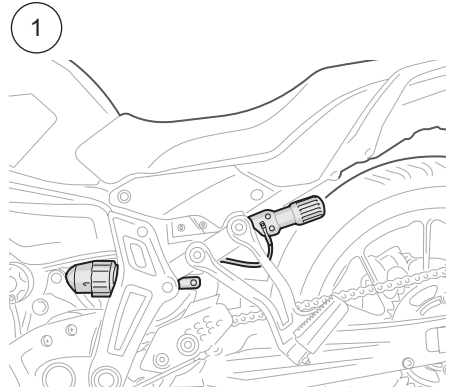
Install the Öhlins shock absorber with the cylinder head gas valve up, and the master cylinder freely hanging towards the rear and left side.

## **👁 Note!**

*Lower the vehicle so that the suspension is slightly compressed before you tighten the screws.*

## **👉 Caution!**

*Make sure that you tighten all screws to the correct torque and that nothing fouls or restricts movement of the shock absorber/front fork/steering damper when the suspension is fully compressed or extended.*



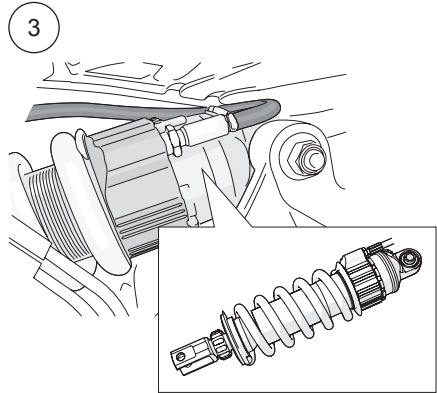
# MOUNTING INSTRUCTIONS

**5**  
Mount the master cylinder according to the picture.

**6**  
Add tie-rop to secure the hose.

**7**  
Tighten the shock mounting screws when the rear wheel is on the ground.

**8**  
Mount the mud-chain guard.



# ADJUSTMENTS

## **⚠ Warning!**

*Before you ride/drive, always make sure that the setup is according to the recommended setup data. Read about adjustments and setting up in the Öhlins Owner's Manual before you make any adjustments. Contact an Öhlins dealer if you have any questions about setting up.*

## SETUP DATA

Length	330	mm
Stroke	64	mm
Spring part no.	01095-44	
Spring rate	120	N/mm
Spring free length	250	mm
Spring preload	12	mm
Rebound	14	clicks

Recommended free sag and ride height		
R1-R3	38	mm
F1-F3	35	mm

Öhlins products are subject to continuous improvement and development, therefore, although these instructions include the most up-to-date information available at the time of printing, minor updates may occur.

To find the latest information contact an Öhlins distributor. Please contact Öhlins if you have any questions regarding the contents in this document.

Part no. MI\_YA429\_1  
Issued 2017-01-01

© Öhlins Racing AB. All rights reserved. Any reprinting or unauthorized use without the written permission of Öhlins Racing AB is prohibited.

Öhlins Racing AB  
Box 722  
S-194 27 Upplands Väsby, Sweden  
Phone +46 8 590 025 00  
fax +46 8 590 025 80



[www.ohlins.com](http://www.ohlins.com)