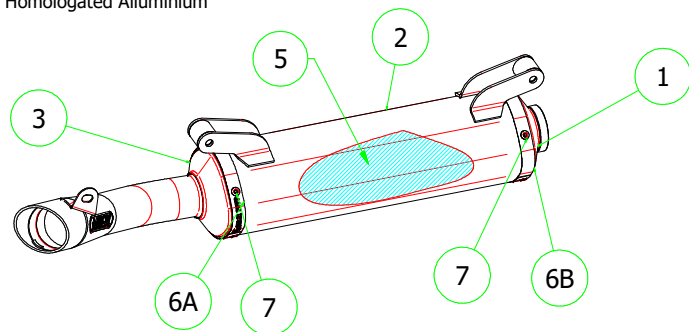


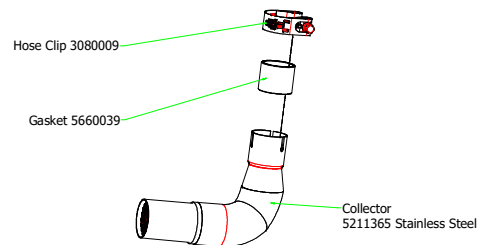
# Aprilia RS4 125 2017



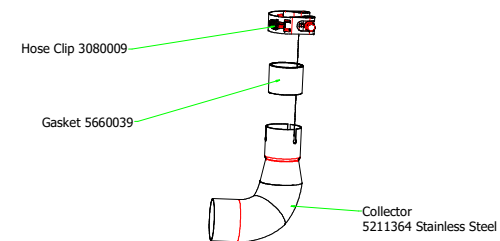
**51515AO** Homologated Alluminium



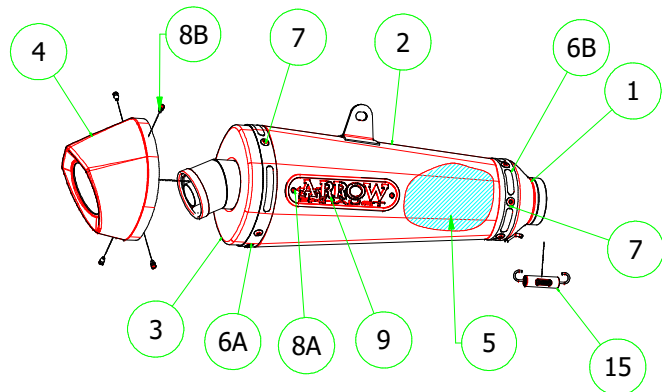
**51013KZ** Link Pipe for 51515AO whit Catalyst



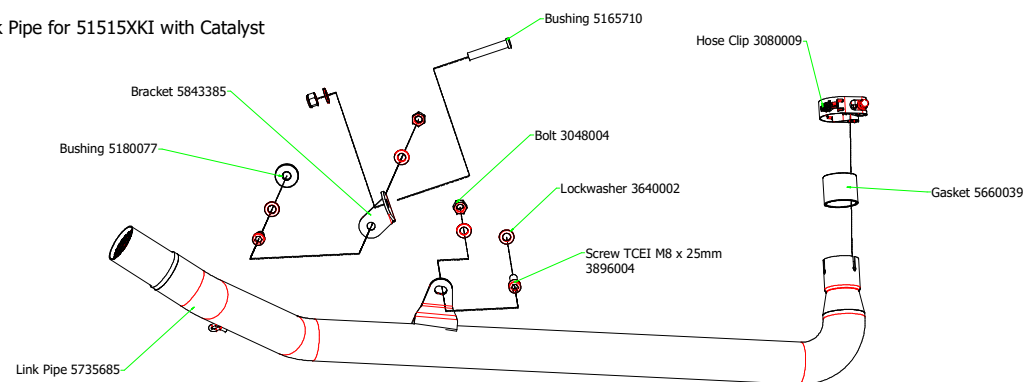
**51013MI** Racing Link Pipe for 51515AO



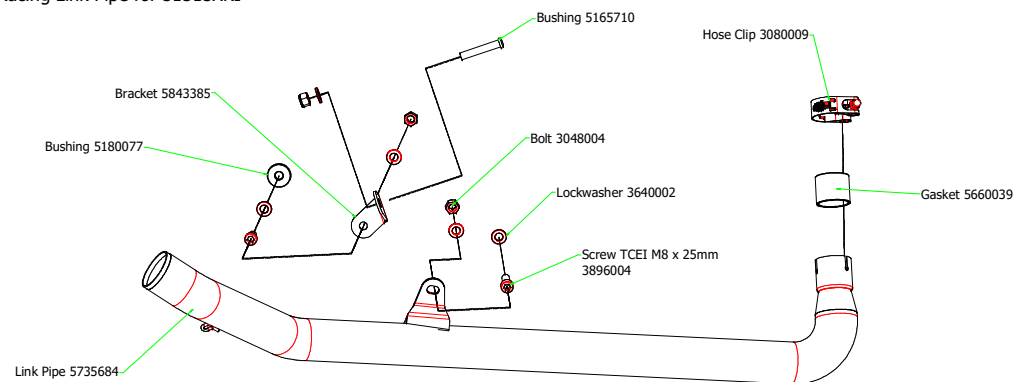
**51515XKI** Homologated Nichrom - Carbon



**51014KZ** Link Pipe for 51515XKI with Catalyst



**51014MI** Racing Link Pipe for 51515XKI



## PARTI DI RICAMBIO / SPARE PARTS

ID	DESCRIZIONE / DESCRIPTION	51515AO cod	51515XKI cod
<b>1</b>	Assieme anteriore / <i>Front assembly</i>	<b>5008877</b>	<b>5035054</b>
<b>2</b>	Corpo Marmitta / <i>Silencer Sleeve</i>	<b>5257214</b>	<b>5254539</b>
<b>3</b>	Assieme Posteriore / <i>Rear assembly</i>	<b>5009988</b>	<b>5009812</b>
<b>4</b>	Fondello in carbonio / <i>Carbon fibre end cap</i>		<b>5704060</b>
<b>5</b>	Materiale fonoassorbente / <i>Sound-absorbant material</i>	<b>5690091</b>	<b>5690075</b>
<b>6A</b>	Fascetta di serraggio posteriore / <i>Rear strap for rivets</i>	<b>5495449</b>	<b>5495455</b>
<b>6B</b>	Fascetta di serraggio anteriore / <i>Front strap for rivets</i>	<b>5495064</b>	<b>5495310</b>
<b>7</b>	Rivetto inox mm 4.8 / <i>Stainless Steel 4.8 mm Rivet</i>	<b>3608011</b>	<b>3608011</b>
<b>8A</b>	Rivetto inox mm 3.0 / <i>Stainless Steel 3.0 mm Rivet</i>		<b>3608010</b>
<b>8B</b>	Rivetto inox mm 3.0 nero / <i>Black Stainless Steel 3.0 mm Rivet</i>		<b>3608021</b>
<b>9</b>	Targhetta Arrow / <i>Arrow Plate</i>		<b>5855031</b>
<b>15</b>	Molla / <i>Spring</i>		<b>5281003</b>