



## BMW S1000R EEC APPROVED SLIP-ON R-11 DUAL EXIT

Be sure to read the instruction carefully before starting the work. It is necessary to follow the contents to install Yoshimura product.

Product information



**CAUTION** This product is produced for street use only. In case it is used on race circuit or tested on chassis dynamometer, any damage or carbon discoloration is not included in warranty.

### 1. Product Information :

|                  |   |                      |   |
|------------------|---|----------------------|---|
| Description      | BMW S1000R<br>EEC Approved Slip-on R-11 Dual Exit | Weight [STD : 2.4kg] | (SS) & (SM) : 2.1kg, (ST) & (STB) : 1.9kg |
| Cyclone Type     | G637S11C1   | Part Number          | Stainless Sleeve : 1A0-637-5550           |
| Main Material    | Stainless Steel                                   |                      | Metal Magic Sleeve : 1A0-637-5520         |
| EEC Approval No. | e1 0798⑨  |                      | Titanium Sleeve : 1A0-637-5580            |
|                  |   |                      | Titanium Blue Sleeve : 1A0-637-5580B      |

### 2. Applicable Model :

|                |            |
|----------------|------------|
| Model          | BMW S1000R |
| Type of Engine | 104EC      |

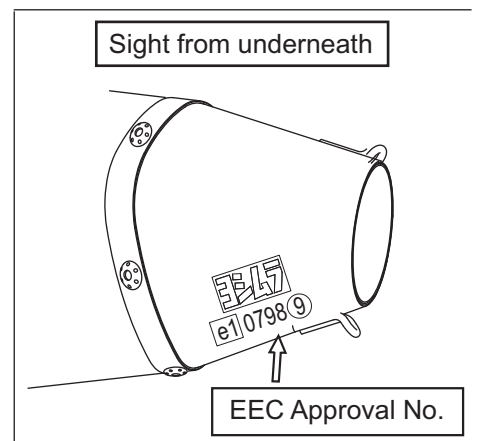
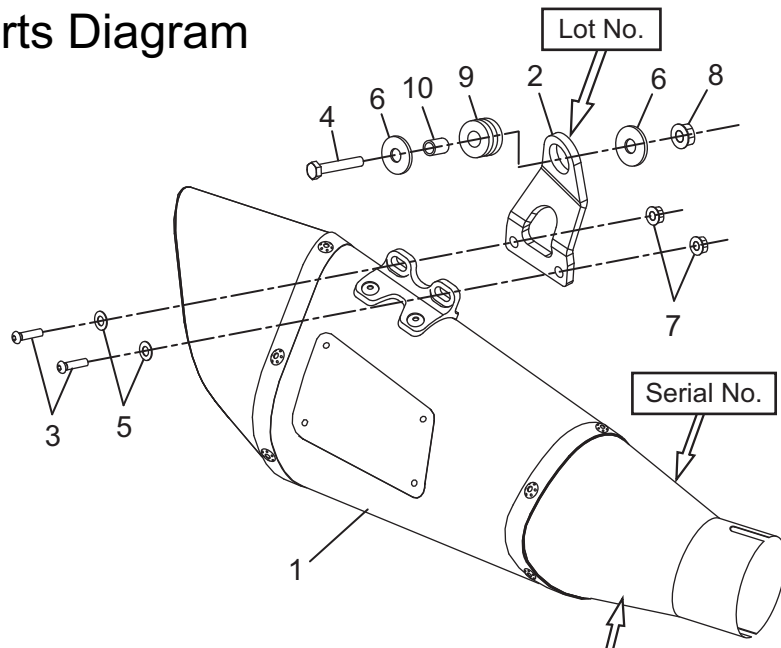
### 3. Optional Part :

|                                |              |
|--------------------------------|--------------|
| Description                    | Part No.     |
| Yoshimura Optional Bracket Set | 194-635-0030 |

### 4. Contents :

| No. | Descriptions                        | Part No.      | Q'ty | No. | Descriptions   | Part No.     | Q'ty |
|-----|-------------------------------------|---------------|------|-----|----------------|--------------|------|
| 1   | Silencer Assy, Stainless Sleeve     | 1A6-635-5550  | 1    | 5   | Washer M6x13   | 812-106-0000 | 2    |
|     | Silencer Assy, Metal Magic Sleeve   | 1A6-635-5520  |      | 6   | Washer M8x26   | 812-108-2600 | 2    |
|     | Silencer Assy, Titanium Sleeve      | 1A6-635-5580  |      | 7   | Flange Nut M6  | 823-006-1000 | 2    |
|     | Silencer Assy, Titanium Blue Sleeve | 1A6-635-5580B |      | 8   | Flange Nut M8  | 823-008-1250 | 1    |
| 2   | Silencer Bracket                    | 161-637-0210  | 1    | 9   | Grommet Rubber | 553-565-0000 | 1    |
| 3   | Button Bolt M6x20                   | 803-206-4020  | 2    | 10  | Grommet Spacer | 850-208-1212 | 1    |
| 4   | Hex Bolt M8x40                      | 802-008-5040  | 1    |     |                |              |      |

### Parts Diagram



**!** Note and record the weight of silencer assy before installation for inner wool maintenance.

EEC Approval No.

EEC Approval No.