



# YOSHIMURA

RESEARCH&DEVELOPMENT OF AMERICA, INC.

5420 DANIELS STREET STE A, CHINO CA., 91710 · (800) 634-9166 · (909) 628-4722 · FAX (909) 591-2198

[www.yoshimura-rd.com](http://www.yoshimura-rd.com)

## **RACE SERIES**

Qualified Manufacturer Declared "Modified Part"

**2017 ~ 2019**

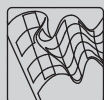
**Honda Grom**

**12121AB250 (CF/SS)**

**Works Finish**

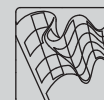
**RS-2 Stainless Steel Full-System**

**FOR CLOSED COURSE COMPETITION ONLY; NOT INTENDED FOR STREET USE**



Race Series systems are:

- NOT CARB/EPA tail-pipe emissions compliant.
- NOT street legal.
- For "Closed Course Competition" use only.

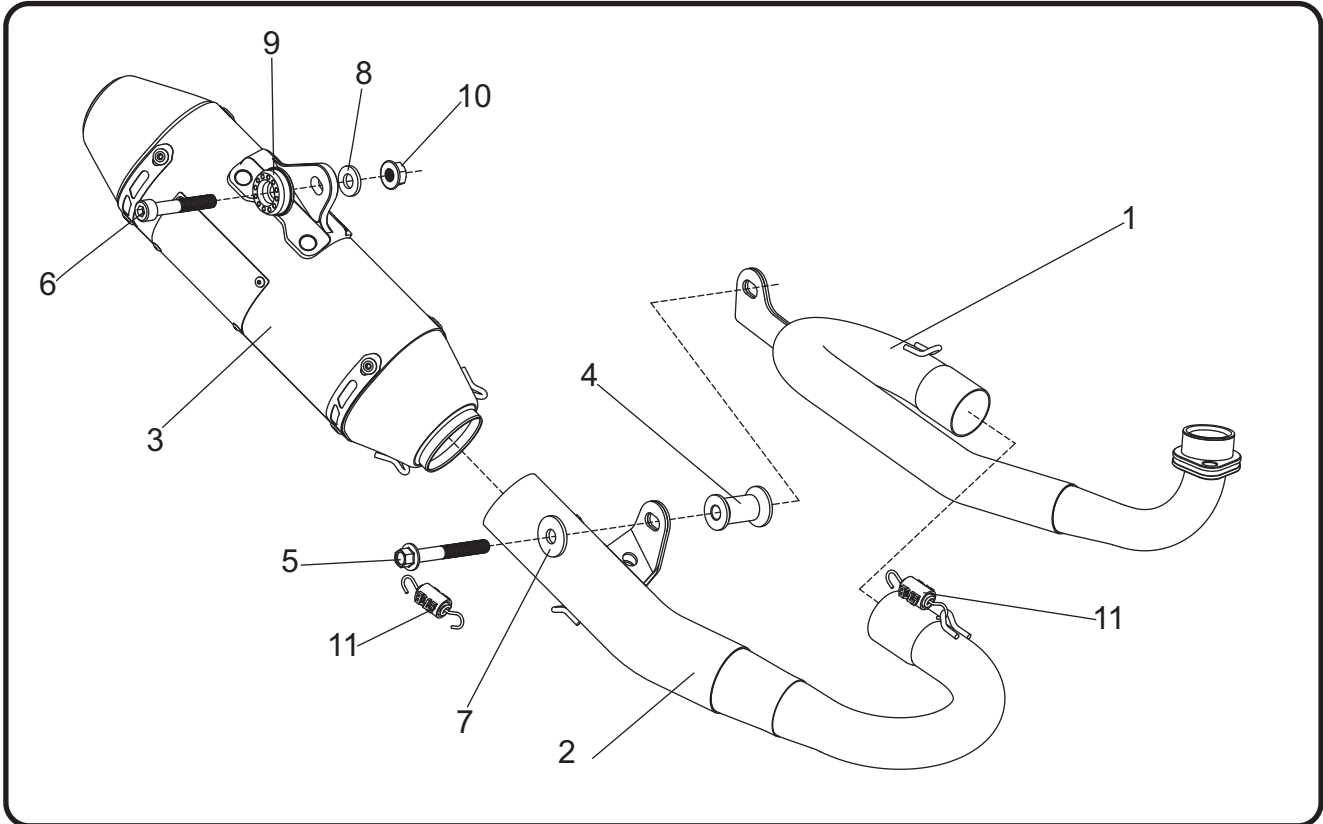


*You must know how to remove and replace your stock exhaust in order to install this product otherwise have it installed by a professional mechanic. Keep all stock parts from your existing system as some components may be necessary to install your new Yoshimura exhaust depending on the application. Read through all instructions before beginning installation. Exhaust system can be extremely hot. Let motorcycle cool down before beginning installation. Always wear hand and eye protection and take precautionary measures to avoid injury.*



NOTE: IN THE STATE OF CALIFORNIA, IT IS ILLEGAL TO MODIFY THE EMISSION CONTROL SYSTEM, WHICH INCLUDES THE CARBURETORS OF ANY VEHICLE.

## Assembly Diagram



No.	Item	Description	Qty.
1	12121-401	Yoshimura Header	1
2	12121-419	Yoshimura Tailpipe	1
3	12121AB250-RMA	Yoshimura Muffler Assembly	1
4	8X35SPCR-HA	Aluminum Spacer	1
5	M8X60H	8mm x 60mm Flanged Hex Head Bolt	1
6	M8X50	8mm x 50mm Socket Head Cap Bolt	1
7	8MMWASHERL	8mm Large Washer	1
8	8MMWASHER	8mm Standard Washer	1
9	M8ALCSW-00	8mm Aluminum Countersink Washer	1
10	8MMNUT	8mm Flange Nut	1
11	RACE-SPX-1	Small Exhaust Spring	2
**	INS-25-K	Low Volume Sound Insert	1
**	ST-200	Spring Puller Tool	1
**	17029	Sticker Kit Sheet	1

\*\* Not shown in diagram.

**CAUTION:** Exhaust system can be extremely hot. Let motorcycle cool down before beginning installation. Always wear hand and eye protection and take precautionary measures to avoid injury.

**WARNING:** Always properly support vehicle with a stand and/or lift when servicing or performing any work. Unstable vehicles may present dangerous conditions and may cause property damage and/or personal injury.

**NOTE:** Read through all instructions before beginning installation.

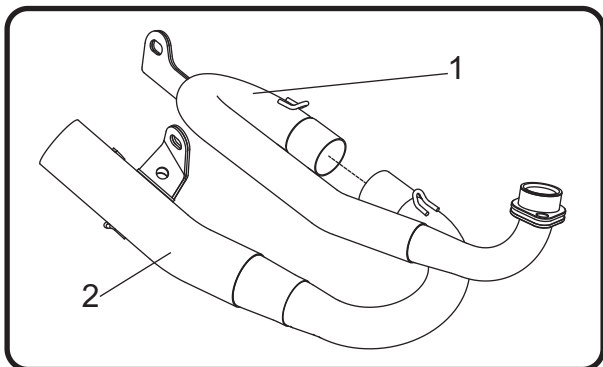
## Removal

1. Remove the muffler mount bolt.
2. Remove the exhaust chassis mount bolt.
3. While securely supporting the stock muffler, remove the header nuts and carefully remove the stock muffler assembly.

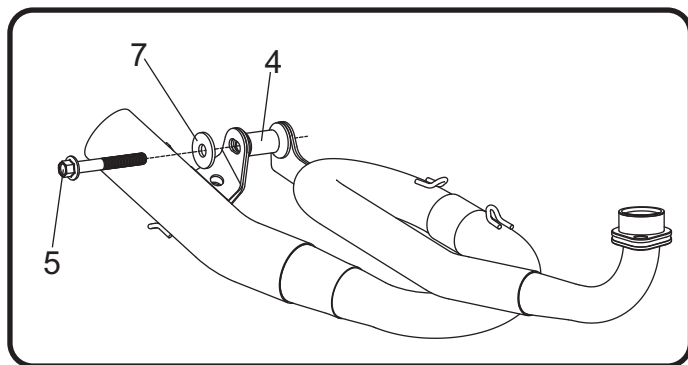
Note: The stock exhaust port gasket will be re-used with the Yoshimura full-system. Inspect and replace gasket if necessary.

## Installation

1. Install (No. 2) 12121-419, tailpipe inlet over (No. 1) 12121-401, header outlet as shown.



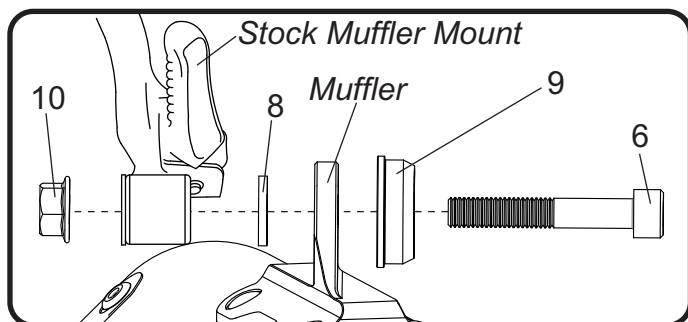
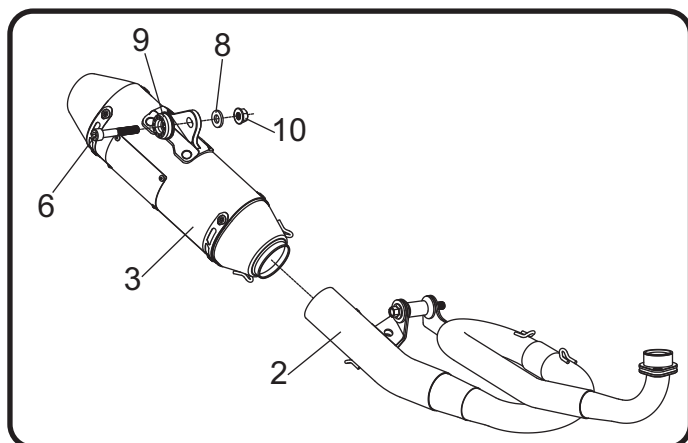
2. Install (No. 1) 12121-401, header using the stock header nuts. Do not torque at this time.
3. Align tailpipe and header chassis mount bracket and install (No. 4) 8X35SPCR-HA, aluminum spacer between chassis mount brackets as shown. Secure to chassis using (No. 5) M8X60H, 8mm bolt and (No. 7) 8MMWASHERL, washer. Do not torque at this time.



4. Install (No. 3) muffler onto (No. 2) 12121-419, tailpipe inlet and align muffler bracket to the frontside of the stock muffler mount. Secure using (No. 6) M8X50, bolt, (No. 9) M8ALCSW-00, countersink washer, (No. 8) 8MMWASHER, washer, and (No. 10) 8MMNUT, nut.

Note<sup>1</sup>: Washer mounts between the muffler bracket and the stock muffler mount.

Note<sup>2</sup>: Nut mounts to the backside of the stock muffler mount.



5. Torque (No. 6) M8X50, muffler mount bolt to factory specification.
6. Install (No. 11) RACE-SPX-1, small spring between the muffler to tailpipe connection and between tailpipe to header connection.
7. Torque chassis mount bolt to factory specification.
8. Torque header nuts to factory specification.

9. Before starting vehicle, check for proper clearance between new exhaust system and rear suspension (i.e. tire, swingarm, brakes, rear shock, and etc.) If any problem is found, please carefully follow through the installation steps again. If problem still persists, please call Yoshimura Tech Department at (800) 634-9166 / in CA (909) 628-4722.
10. It is recommended that the muffler and tailpipe be wiped down with rubbing alcohol to remove oil and fingerprints. This will help prevent tarnishing of the finish after the exhaust is heated up.

Note: After starting vehicle, it is normal for new exhaust system and muffler to emit smoke until oil residue burns off.

## **Works Finish Care & Maintenance**

---

Before starting vehicle, clean pipe thoroughly using a soft cloth and rubbing alcohol to remove any oil and finger prints.

The color of the exhaust will change once the system has gone through a heat cycle of 15 minutes or more. Color will vary depending on lean/rich conditions.

Clean using a soft cloth and soap. Do not use abrasive materials as it will scratch the surface.

Surface reconditioning services are available to remove scratches and undesirable discoloration due to extreme heat. Contact Yoshimura Tech Department at (800) 634-9166 / in CA (909) 628-4722 for more information.