



YOSHIMURA

RESEARCH & DEVELOPMENT OF AMERICA, INC.

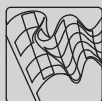
5420 DANIELS STREET STE A, CHINO CA 91710 · (800) 634-9166 · (909) 628-4722 · FAX (909) 591-2198

WWW.YOSHIMURA-RD.COM

Signature Series

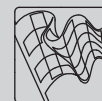
Qualified Manufacturer Declared "Replacement Part"

2016~2018
Kawasaki KX450F
244711D220 (Ti/CF)
244711D720 (Ti/Ti)
RS-4 Titanium Full-System



Signature Series systems are:

- CARB/EPA tail-pipe emissions compliant.
- Marked with appropriate EPA noise labels.
- Independent laboratory tested for EPA new vehicle noise compliance.

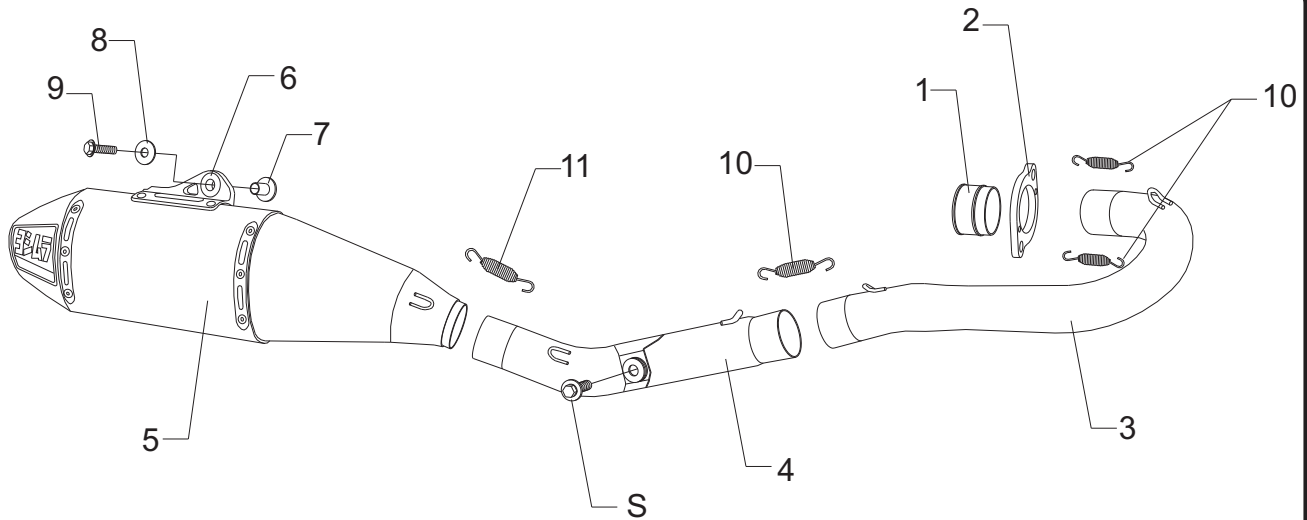


CAUTION: The muffler packing on this system **MUST** be replaced every 6-8 hours of use, or every 1-2 motos. Failure to follow recommended muffler re-packing interval can cause muffler damage and may void the warranty.



NOTE: IN THE STATE OF CALIFORNIA, IT IS ILLEGAL TO MODIFY THE EMISSION CONTROL SYSTEM, WHICH INCLUDES THE FUEL INJECTION OF ANY VEHICLE.

Assembly Diagram



S = Stock

No.	Item	Description	Qty.
1	2446SDM	Yoshimura Manifold	1
2	2386SDR-TI-0	Yoshimura Flange	1
3	24471-704	Yoshimura Ti Header	1
4	24471-744	Yoshimura Ti Tailpipe	1
5	****	Yoshimura Muffler Assembly	1
6	Z1022	Rubber Grommet	1
7	ALS-003	Aluminum Spacer	1
8	8MMWASHERL	8mm Large Washer	1
9	M8X35H	8mm x 35mm Flanged Hex Head Bolt	1
10	RACE-SPS-1	Medium Exhaust Spring	3
11	RACE-SPX-1	Small Exhaust Spring	1
**	INS-16-K	Low Volume Insert	1
**	ST-200	Spring Puller Tool	1
**	347PLUG	Wash Plug	1
**	17029	Sticker Sheet	1
OPTIONAL REPLACEMENT PARTS			
SA-08-K		Spark Arrestor	
REPACK-RS4-PK11		Re-pack Kit	

** Not shown on diagram.

**** Signature Series muffler replacement part number unavailable. Repair or replacement of Signature Series exhaust systems is only available directly through Yoshimura R&D of America, Inc.

CAUTION: Exhaust system can be extremely hot. Let motorcycle cool down before beginning installation. Always wear hand and eye protection and take precautionary measures to avoid injury.

WARNING: Always properly support vehicle with a stand and/or lift when servicing or performing any work. Unstable vehicles may present dangerous conditions and may cause property damage and/or personal injury.

NOTE: Read through all instructions before beginning installation.

Removal

1. Remove the right side number plate.
2. Loosen exhaust clamp between the stock header and muffler.
3. While securely supporting the stock muffler assembly, remove the muffler chassis mount bolt and carefully remove the stock muffler.
4. Remove the header nuts and remove the stock header.

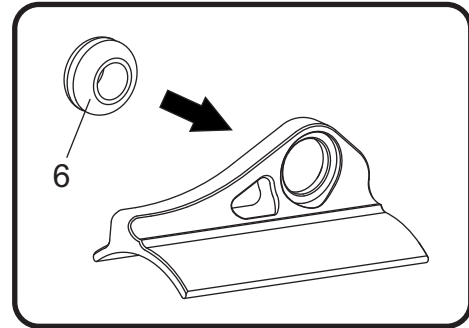
Note: The stock exhaust gasket will be re-used with the Yoshimura system. Inspect and replace if necessary.

Installation

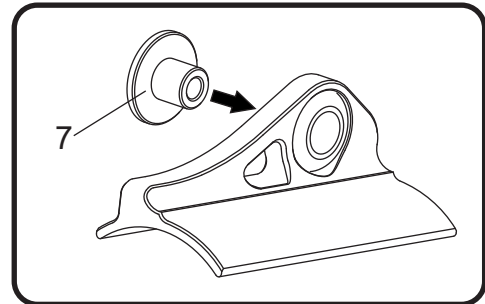
1. Install (No. 1,2) *2446SDM* and *2386SDR-TI-0*, manifold and flange to exhaust port using the stock header nuts. Do not torque at this time.

Note: Hook (No. 10) *RACE-SPS-1*, medium exhaust springs onto flange to ease installation on header in next step.
2. Install (No. 3) *24471-704*, header into (No. 1) *2446SDM*, manifold. Check to make sure header is fully seated in manifold and torque header nuts. Secure header to manifold using the springs hooked on flange in previous step.
3. Install (No. 4) *24471-744*, tailpipe inlet over (No. 3) *24471-704*, header outlet. Align chassis mount bracket to chassis and secure using the stock chassis mount bolt. Do not torque at this time.

4. Install (No. 6) *Z1022*, rubber grommet into muffler mount bracket.



5. Install (No. 7) *ALS-003*, aluminum spacer into (No. 6) *Z1022*, rubber grommet.



6. Install (No. 5) *muffler*, over (No. 4) *24471-744*, tailpipe outlet. Align muffler mount bracket to muffler mount and secure using (No. 8,9) *8MMWASHERL* and *M8X35H*, 8mm washer and bolt. Torque muffler mount bolt to factory specification.
7. Torque the stock tailpipe chassis mount bolt to factory specification.
8. Torque header nuts to factory specification.
9. Install (No. 11) *RACE-SPX-1*, small exhaust spring between muffler and tailpipe.
10. Install (No. 10) *RACE-SPS-1*, medium exhaust spring between tailpipe and header.
11. Before starting vehicle, check for proper clearance between new exhaust system and rear suspension (i.e. tire, swingarm, brakes, rear shock, and etc.) If any problem is found, please carefully follow through the installation steps again. If problem still persists, please call Yoshimura Tech Department at (800) 634-9166 / in CA (909) 628-4722.

12. It is recommended that the muffler and tailpipe be wiped down with rubbing alcohol to remove oil and fingerprints. This will help prevent tarnishing of the finish after the exhaust is heated up.

Note: After starting motorcycle, it is normal for new exhaust system and muffler to emit smoke until oil residue burns off.