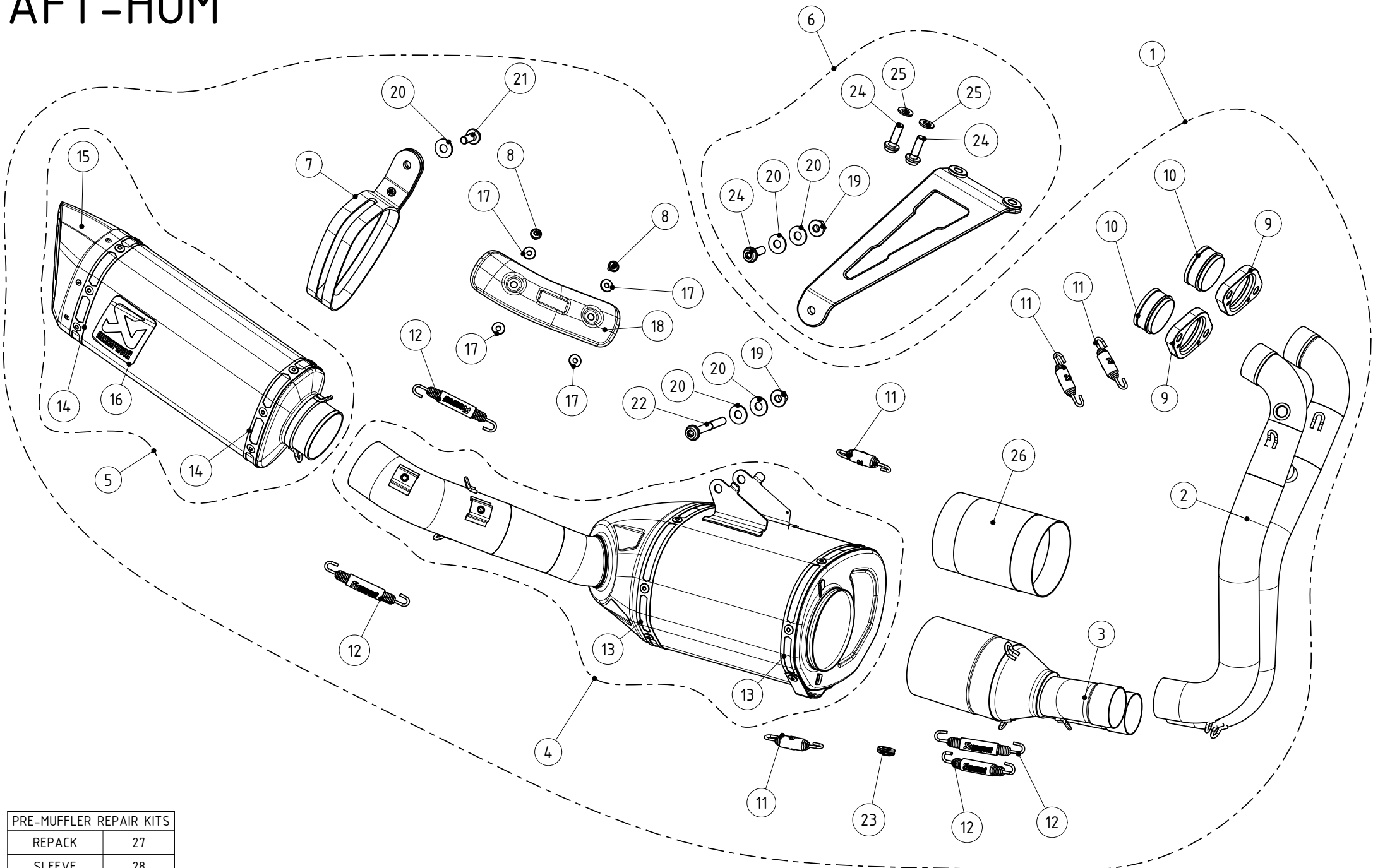


# AFT-HOM



## PRE-MUFFLER REPAIR KITS

|        |    |
|--------|----|
| REPACK | 27 |
| SLEEVE | 28 |

## MUFFLER REPAIR KITS

|        |    |
|--------|----|
| REPACK | 29 |
| SLEEVE | 30 |

| No. | SalesCode     | Description              | Qty. |
|-----|---------------|--------------------------|------|
| 1   | S-A6R4-HAPC   | racinq system            | 1    |
| 2   | H-A6R2        | header SS                | 2    |
| 3   | C-A6R2        | collector SS             | 3    |
| 4   | R-A6R2        | pre - muffler            | 4    |
| 5   | M-HAP01802C   | muffler                  | 5    |
| 6   | P-MBA6R1      | muffler bracket optional | 6    |
| 7   | P-MCCAP16X    | muffler clamp            | 7    |
| 8   | P-FB157       | bolt                     | 8    |
| 9   | P-FY4         | flange                   | 9    |
| 10  | P-85          | inner sleeve SS          | 10   |
| 11  | P-S2/1        | spring                   | 11   |
| 12  | P-S1/2        | spring                   | 12   |
| 13  | P-TT73        | belt TI for SS sleeve    | 13   |
| 14  | P-TT62        | titanium tape            | 14   |
| 15  | V-EC273       | end cap                  | 15   |
| 16  | P-VST2AL      | sticker                  | 16   |
| 17  | P-DRH2/BAR316 | washer SS                | 17   |
| 18  | P-HSA6R1      | heat shield CA           | 18   |
| 19  | P-FN12        | nut                      | 19   |
| 20  | P-DR86        | washer SS                | 20   |
| 21  | P-FB136       | bolt                     | 21   |
| 22  | P-FB186       | bolt                     | 22   |
| 23  | P-GUV004      | rubber insert            | 23   |
| 24  | P-FB155       | bolt                     | 24   |
| 25  | P-DR47        | washer SS                | 25   |
| 26  | P-KAT-083     | catalytic converter      | 26   |
| 27  | P-RPCK269     | repack kit               | 27   |
| 28  | P-RKS692EG190 | sleeve kit               | 28   |
| 29  | P-RPCK270     | repack kit               | 29   |
| 30  | P-RKS688AP250 | sleeve kit               | 30   |